

CHAIN HOIST
Air Chain Hoist



Single Chain Fall with Pendant Control

Single Chain Fall with Cord Control

Double Chain Fall with Pendant Control

Single Chain Fall with Cord Control

| Model No. | Model | Control | Load Capacity TON | Standard Lift M | Chain Fall | Air Pressure at 6kg/cm ² | | | | Weight (with 3m chain) KG | Hook to Hook MM | Hose Size Distance MM |
|-------------|------------|---------|----------------------|--------------------|------------|-------------------------------------|--------------------|---------------------|--------|---------------------------------|--------------------|-----------------------------|
| | | | | | | Lifting Speed | | Air Consumption | | | | |
| | | | | | | M/MIN with load | M/MIN without load | M ³ /MIN | C.F.M. | | | |
| ALM 0001-1 | TCR-500C | Cord | 0.5 | 3 | 1 | 10.5 | 15.75 | 1.5 | 52.5 | 30 | 412 | 12.7 |
| ALM 0001-2 | TCR-500P | Pendant | 0.5 | 3 | 1 | 10.5 | 15.75 | 1.5 | 52.5 | 31 | 412 | 12.7 |
| ALM 0001-3 | TCR-1000C2 | Cord | 1.0 | 3 | 2 | 5.3 | 7.95 | 1.5 | 52.5 | 34.5 | 469 | 12.7 |
| ALM 0001-4 | TCR-1000P2 | Pendant | 1.0 | 3 | 2 | 5.3 | 7.95 | 1.5 | 52.5 | 35.5 | 469 | 12.7 |
| ALM 0001-5 | TCR-1000C | Cord | 1.0 | 3 | 1 | 6.0 | 9.0 | 1.5 | 52.5 | 33 | 416 | 12.7 |
| ALM 0001-6 | TCR-1000P | Pendant | 1.0 | 3 | 1 | 6.0 | 9.0 | 1.5 | 52.5 | 34 | 416 | 12.7 |
| ALM 0001-7 | TCR-2000C2 | Cord | 2.0 | 3 | 2 | 3.0 | 4.5 | 1.5 | 52.5 | 39 | 503 | 12.7 |
| ALM 0001-8 | TCR-2000P2 | Pendant | 2.0 | 3 | 2 | 3.0 | 4.5 | 1.5 | 52.5 | 40 | 503 | 12.7 |
| ALM 0001-9 | TCR-3000C | Cord | 3.0 | 3 | 1 | 2.8 | 4.2 | 2.0 | 70 | 68 | 563 | 19 |
| ALM 0001-10 | TCR-3000P | Pendant | 3.0 | 3 | 1 | 2.8 | 4.2 | 2.0 | 70 | 69 | 563 | 19 |
| ALM 0001-11 | TCR-6000C2 | Cord | 6.0 | 3 | 2 | 1.7 | 2.55 | 2.0 | 70 | 89 | 673 | 19 |
| ALM 0001-12 | TCR-6000P2 | Pendant | 6.0 | 3 | 2 | 1.7 | 2.55 | 2.0 | 70 | 90 | 673 | 19 |
| ALM 0001-13 | TNC-10TWC | Cord | 10.0 | 3 | 2 | 1.5 | 2.55 | 5.0 | 175 | 190 | 1240 | 25 |
| ALM 0001-14 | TNC-10TWP | Pendant | 10.0 | 3 | 2 | 1.5 | 2.55 | 5.0 | 175 | 190 | 1240 | 25 |
| ALM 0001-15 | TNC-15TWP | Pendant | 15.0 | 3 | 3 | 1.0 | 1.4 | 5.0 | 175 | 220 | 1300 | 25 |
| ALM 0001-16 | TNC-20TWP | Pendant | 20.0 | 3 | 4 | 0.8 | 1.2 | 5.0 | 175 | 240 | 1350 | 25 |
| ALM 0001-17 | TNC-25TWP | Pendant | 25.0 | 3 | 2 | 0.8 | 1.3 | 5.0 | 175 | 350 | 1440 | 25 |
| ALM 0001-18 | TNC-35TWP | Pendant | 35.0 | 3 | 3 | 0.8 | 1.0 | 5.0 | 175 | 850 | 1550 | 25 |
| ALM 0001-19 | TNC-50TWP | Pendant | 50.0 | 3 | 4 | 0.4 | 0.7 | 5.0 | 175 | 1100 | 1980 | 25 |
| ALM 0001-20 | TNC-80TWP | Pendant | 80.0 | 3 | 6 | 0.22 | 0.4 | 5.0 | 175 | 1800 | - | 25 |

Longer lifting chain available on request

Electric Chain Hoist



| Model No. | ALM 0002-1 | ALM 0002-2 | ALM 0002-3 | ALM 0002-4 | ALM 0002-5 |
|---------------------------------|---------------|------------|------------|------------|------------|
| Rated load (ton) | 0.5T | 1T | 2T | 3T | 3T |
| Lift (m) | | | 4.0 | | |
| Hoisting Speed (m/min) | 50Hz | 8.6 | 6.2 | 6.7 | 4.4 |
| | 60Hz | 10 | 7.3 | 7.9 | 5.2 |
| Output(kw) | 50Hz | 0.83 | 1.17 | 2.5 | 2.5 |
| | 60Hz | 1.0 | 1.4 | 3.0 | 3.0 |
| Hoist Motor 3 phase | Ins. Class | B | | | |
| | Rating (min.) | 30 | | | |
| | % ED | 40 | | | |
| Load Chain | Dia. (mm) | 7.1 | 7.1 | 11.2 | 11.2 |
| | Nos. of falls | 1 | 1 | 1 | 1 |
| Test Load (ton) | 0.625 | 1.25 | 2.5 | 3.75 | 6.25 |
| Minimum Headroom (Max.) G (mm) | 550 | 560 | 725 | 765 | 925 |
| Net Weight * (approx.) (=kg) | 53 | 55 | 100 | 102 | 130 |
| Grade | M5 | M5 | M5 | M4 | M4 |
| Rated load (ton) | 0.5 | 1 | 2 | 3 | 5 |
| Major Dimensions (approx.) (mm) | A | 265 | 285 | 335 | 335 |
| | B | 285 | 285 | 335 | 335 |
| | D | 152 | 152 | 195 | 195 |
| | E | 106 | 106 | 127 | 127 |
| | F | 20 | 25 | 30 | 36 |
| | *P | 690 | 690 | 860 | 880 |
| | *Q | 220 | 220 | 235 | 235 |
| S(m) | 3.6 | 3.6 | 3.8 | 3.8 | 3.8 |

CHAIN BLOCKS



A range of heavy-duty chain blocks suitable for many applications in the industrial, rural, construction and mining industries.

Special Features:

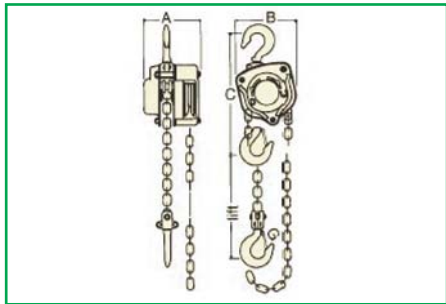
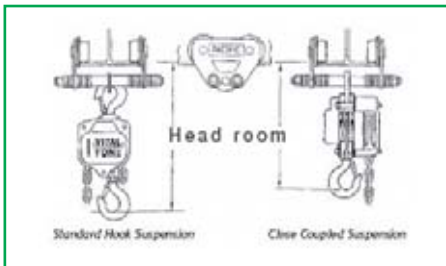
- Made in Japan from optimum high quality steel to conform to the strict J.I.S. and I.S.O. regulations
- Designed for long term use providing the lowest possible per-use cost
- Quality caged needle bearing on load sheave and thrust bearing on bottom hook
- Hardened special alloy steel load chain identification marked to relevant standards

Corrosion Protection

Pacific Hoists can supply VITAL Chain Blocks with heavy duty, mechanically plated corrosion protection designed to withstand the rigors of corrosive environments in industrial and marine applications.

Coupled To Trolleys

Can be close coupled to trolleys to reduce headroom.

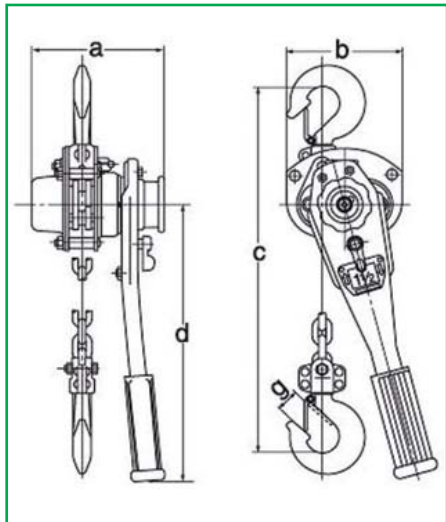


| Model NO. | ALM 0003-1 | ALM 0003-2 | ALM 0003-3 | ALM 0003-4 | ALM 0003-5 |
|----------------------|------------|------------|------------|------------|------------|
| Model | 05VH5 | 10VH5 | 15VH5 | 20VH5 | 30VH5 |
| Capacity tonne | 0.5 | 1 | 1.5 | 2 | 3 |
| Standard lift m | 3 | 3 | 3 | 3 | 3 |
| Weight kg | 8.6 | 11.5 | 13.8 | 21.6 | 22 |
| Headroom C mm | 305 | 345 | 370 | 425 | 505 |
| Pull to lift load kg | 25 | 33 | 34 | 34 | 35 |
| Dimensions A mm | 127 | 147 | 147 | 179 | 147 |
| Dimensions B mm | 144 | 157 | 174 | 204 | 206 |
| Dimensions G mm | 27 | 30 | 34 | 37 | 4 |

| Model NO. | ALM 0003-6 | ALM 0003-7 | ALM 0003-8 | ALM 0003-9 | ALM 0003-10 |
|----------------------|------------|------------|------------|------------|-------------|
| Model | 50VH5 | 75VH5 | 90VH5 | 92VH5 | 92VH5 |
| Capacity tonne | 5 | 7.5 | 10 | 15 | 20 |
| Standard lift m | 3 | 3 | 3 | 3 | 3 |
| Weight kg | 41 | 60.5 | 77.5 | 150 | 190 |
| Headroom C mm | 635 | 740 | 760 | 850 | 870 |
| Pull to lift load kg | 39 | 41 | 41 | 41x2 | 41x2 |
| Dimensions A mm | 179 | 179 | 179 | 207 | 207 |
| Dimensions B mm | 263 | 345 | 367 | 745 | 873 |
| Dimensions G mm | 47 | 67 | 67 | 87 | 87 |

Chain Blocks with custom lift heights also available.

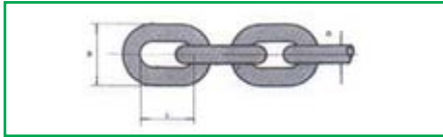
LEVER BLOCKS



| Model No. | Capacity | Standard lift | Net weight | Pull to lift load | | Chain thickness | a | b | c | d | g |
|------------|----------|---------------|------------|-------------------|-----|-----------------|------|------|------|------|------|
| | (t) | (m) | (kg) | (kgf) | (N) | (mm) | (mm) | (mm) | (mm) | (mm) | (mm) |
| ALM 0004-1 | 3/4 | 1.5 | 6.9 | 15 | 147 | 6.3 | 148 | 128 | 295 | 256 | 27 |
| ALM 0004-2 | 1 | 1.5 | 7.1 | 20 | 196 | 6.3 | 148 | 128 | 310 | 256 | 30 |
| ALM 0004-3 | 1 1/2 | 1.5 | 9.7 | 18 | 177 | 7.1 | 163 | 148 | 335 | 368 | 34 |
| ALM 0004-4 | 3 | 1.5 | 16.3 | 38 | 373 | 9.0 | 191 | 181 | 405 | 368 | 43 |
| ALM 0004-5 | 6 | 1.5 | 26.7 | 39 | 382 | 9.0 | 191 | 244 | 550 | 368 | 47 |

CHAIN AND ACCESSORIES

Chain Links



Welded Links Chain

Ours is a specialized factory producing all kinds of steel link chains. Products mainly fall into 6 series with 400 varieties including Ø2.0mm-Ø32mm welded link chain, weldless chains, stainless steel link chains, skid chains, animal chains and chain attachments. These products are mainly used for hoisting, pulling, binding, lifting, fishnet falling, and also for automobiles and decoration. The special specifications can be produced according to buyer's drawings and samples.

Short Links Chain ALM 0005

| Model No. | Link Specification | | | | Test Load KG | Breaking Load KG | Net Wt Per 200Ft (Kg) | |
|-----------|--------------------|-------|--------|--------|-----------------|---------------------|-----------------------|--------|
| | IN | MM | (L) MM | (W) MM | | | B.F. | H.D.G. |
| 1 | 1/8 | 3.20 | 16 | 12 | 200 | 400 | 11.40 | 11.74 |
| 2 | 5/32 | 4.00 | 18.5 | 14.5 | 300 | 600 | 18.60 | 19.00 |
| 3 | 3/16 | 4.70 | 19 | 17 | 400 | 800 | 26.20 | 27.00 |
| 4 | 7/32 | 5.50 | 20 | 19 | 550 | 1100 | 36.80 | 38.00 |
| 5 | 1/4 | 6.35 | 22 | 21 | 750 | 1500 | 50.00 | 51.50 |
| 6 | 5/16 | 7.94 | 26 | 26 | 1200 | 2400 | 80.00 | 82.40 |
| 7 | 3/8 | 9.50 | 28 | 32 | 1700 | 3400 | 122.00 | 125.70 |
| 8 | 7/16 | 11.11 | 33 | 36 | 2300 | 4600 | 164.00 | 169.00 |
| 9 | 1/2 | 12.70 | 39 | 43 | 3000 | 6000 | 210.00 | 216.00 |
| 10 | 5/8 | 15.80 | 45 | 53 | 4700 | 9400 | 334.00 | 344.00 |
| 11 | 3/4 | 19.00 | 55 | 63 | 6800 | 13600 | 485.00 | 499.00 |
| 12 | 7/8 | 22.20 | 64 | 74 | 9250 | 18500 | 656.00 | 675.00 |
| 13 | 1 | 25.40 | 73 | 84 | 12150 | 24300 | 870.00 | 896.00 |

Medium Links Chain ALM 0006

| Model No. | Link Specification | | | | Test Load KG | Breaking Load KG | Net Wt Per 200Ft (Kg) | |
|-----------|--------------------|-------|--------|--------|-----------------|---------------------|-----------------------|--------|
| | IN | MM | (L) MM | (W) MM | | | B.F. | H.D.G. |
| 1 | 1/8 | 3.20 | 20 | 12 | 200 | 400 | 10.80 | 11.00 |
| 2 | 5/32 | 4.00 | 23 | 15 | 300 | 600 | 17.40 | 18.00 |
| 3 | 3/16 | 4.70 | 25 | 18 | 400 | 800 | 24.40 | 25.00 |
| 4 | 7/32 | 5.50 | 26 | 19 | 550 | 1100 | 34.00 | 35.00 |
| 5 | 1/4 | 6.35 | 26 | 23 | 750 | 1500 | 48.80 | 50.00 |
| 6 | 5/16 | 7.94 | 32 | 29 | 1200 | 2400 | 76.00 | 78.00 |
| 7 | 3/8 | 9.50 | 35 | 35 | 1700 | 3400 | 111.00 | 114.00 |
| 8 | 7/16 | 11.11 | 38 | 38 | 2300 | 4600 | 154.00 | 158.00 |
| 9 | 1/2 | 12.70 | 50 | 45.5 | 3000 | 6000 | 194.00 | 200.00 |
| 10 | 5/8 | 15.80 | 60 | 56.7 | 4700 | 9400 | 303.00 | 312.00 |
| 11 | 3/4 | 19.00 | 76 | 69 | 6800 | 13600 | 432.00 | 445.00 |
| 12 | 7/8 | 22.20 | 90 | 80 | 9250 | 18500 | 586.00 | 603.00 |
| 13 | 1 | 25.40 | 105 | 95 | 12150 | 24300 | 770.00 | 792.00 |

Chain Slings



Single-leg with master link and hook



Single-leg with master and hook



Collar sling with egg link each end



Collar sling with master each end



Two-leg with master link and hooks



Two-leg with shortening clutches



Three-leg with master link assembly & hooks



Four-leg with master link assembly & hooks



Four-leg with shortening clutches



Choke hook sling



Double Basket sling



Endless sling with connector

CHAIN AND ACCESSORIES

Chain Slings



Pipe sling

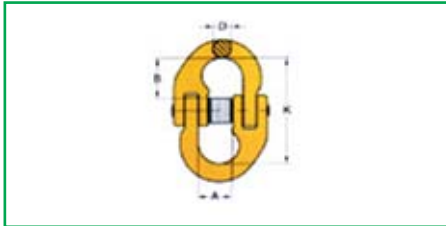


Case grab sling with shortening clutch



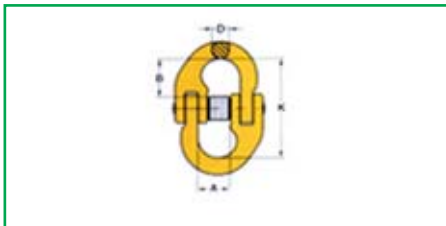
Drum sling

Connecting Link



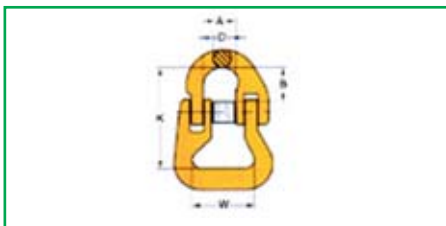
U.S. TYPE A-336

| Model No. | Size For Chain (inch) | D (inch) | K (inch) | A (inch) | B (inch) | WLL (Lbs) | WT (kgs) |
|------------|--------------------------|-------------|-------------|-------------|-------------|--------------|-------------|
| ALM 0022-1 | 1/4" | 0.31 | 2.06 | 0.78 | 0.78 | 3250 | 0.11 |
| ALM 0022-2 | 5/16" | 0.35 | 2.20 | 0.89 | 0.88 | 4100 | 0.18 |
| ALM 0022-3 | 3/8" | 0.45 | 2.72 | 1.09 | 1.06 | 6600 | 0.26 |
| ALM 0022-4 | 1/2" | 0.58 | 3.34 | 1.41 | 1.28 | 11250 | 0.54 |
| ALM 0022-5 | 5/8" | 0.78 | 3.91 | 1.69 | 1.56 | 16500 | 1.10 |
| ALM 0022-6 | 3/4" | 0.89 | 4.84 | 2.00 | 1.97 | 23000 | 1.77 |
| ALM 0022-7 | 7/8" | 1.00 | 5.81 | 2.12 | 2.38 | 28750 | 2.76 |
| ALM 0022-8 | 1" | 1.08 | 6.48 | 2.55 | 2.84 | 38750 | 3.19 |
| ALM 0022-9 | 1.1/4" | 1.38 | 8.48 | 3.77 | 3.77 | 57500 | 5.99 |



U.S. TYPE A-337

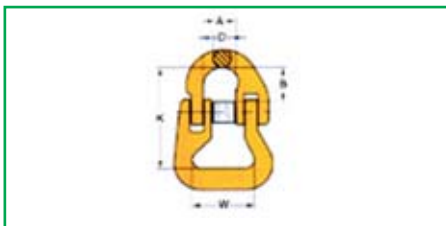
| Model No. | Size For Chain (inch) | D (inch) | K (inch) | A (inch) | B (inch) | WLL (Lbs) | WT (kgs) |
|------------|--------------------------|-------------|-------------|-------------|-------------|--------------|-------------|
| ALM 0023-1 | 1/4" | 0.36 | 1.88 | 0.66 | 0.78 | 3500 | 0.13 |
| ALM 0023-2 | 5/16" | 0.39 | 2.13 | 0.69 | 0.88 | 4500 | 0.15 |
| ALM 0023-3 | 3/8" | 0.52 | 2.50 | 0.88 | 1.03 | 7100 | 0.33 |
| ALM 0023-4 | 1/2" | 0.64 | 3.44 | 1.13 | 1.44 | 12000 | 0.76 |
| ALM 0023-5 | 5/8" | 0.75 | 4.13 | 1.41 | 1.73 | 18100 | 1.30 |
| ALM 0023-6 | 3/4" | 0.97 | 4.94 | 1.63 | 2.06 | 28300 | 2.27 |
| ALM 0023-7 | 7/8" | 1.06 | 5.50 | 2.00 | 2.31 | 34200 | 3.41 |
| ALM 0023-8 | 1" | 1.22 | 6.00 | 2.25 | 2.50 | 47700 | 5.01 |
| ALM 0023-9 | 1.1/4" | 1.50 | 7.43 | 2.56 | 3.06 | 72300 | 9.25 |



Web Sling Connector

| Model No. | Size For Chain (mm) | D (mm) | K (mm) | A (mm) | W (mm) | B (mm) | WLL (Tons) | WT (kgs) |
|------------|------------------------|-----------|-----------|-----------|-----------|-----------|---------------|-------------|
| ALM 0024-1 | 6 | 7 | 57 | 15 | 39 | 17 | 1.1 | 0.20 |
| ALM 0024-2 | 7,8 | 9 | 62 | 18 | 40 | 22 | 2.0 | 0.30 |
| ALM 0024-3 | 10 | 12 | 78 | 25 | 47 | 26 | 3.2 | 0.60 |
| ALM 0024-4 | 13 | 16 | 95 | 30 | 53 | 35 | 5.4 | 1.00 |
| ALM 0024-5 | 16 | 20 | 115 | 36 | 67 | 41 | 8.0 | 2.00 |
| ALM 0024-6 | 18,20 | 23 | 132 | 42 | 80 | 46 | 12.5 | 3.00 |
| ALM 0024-7 | 22 | 25 | 187 | 50 | 125 | 60 | 15.0 | 7.00 |
| ALM 0024-8 | 26 | 30 | 209 | 58 | 150 | 61 | 21.6 | 11.60 |
| ALM 0024-9 | 32 | 37 | 279 | 67 | 160 | 92 | 32.0 | 20.00 |

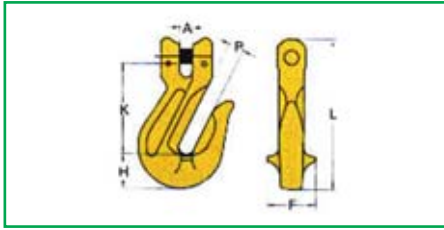
Grab Hooks



Eye Grab Hook

| Model No. | Size For Chain (mm) | A (mm) | P (mm) | G (mm) | K (mm) | F (mm) | WLL (Tons) | WT (kgs) |
|------------|------------------------|-----------|-----------|-----------|-----------|-----------|---------------|-------------|
| ALM 0025-1 | 6 | 13 | 8 | 8 | 51 | 30 | 1.1 | 0.20 |
| ALM 0025-2 | 7.8 | 15 | 10 | 9 | 60 | 30 | 2.0 | 0.20 |
| ALM 0025-3 | 10 | 20 | 13 | 13 | 84 | 41 | 3.2 | 0.60 |
| ALM 0025-4 | 13 | 25 | 16 | 15 | 102 | 52 | 5.4 | 1.20 |
| ALM 0025-5 | 16 | 30 | 20 | 20 | 114 | 57 | 8.0 | 2.30 |
| ALM 0025-6 | 18,20 | 36 | 23 | 23 | 132 | 98 | 12.5 | 4.60 |
| ALM 0025-7 | 22 | 38 | 27 | 26 | 157 | 110 | 15.0 | 8.20 |
| ALM 0025-8 | 26 | 41 | 29 | 32 | 187 | 100 | 21.6 | 9.80 |
| ALM 0025-9 | 32 | 57 | 37 | 40 | 230 | 90 | 32.0 | 19.40 |

CHAIN AND ACCESSORIES
Grab Hooks



Clevis Grab Hook

| Model No. | Size For Chain (mm) | A (mm) | P (mm) | H (mm) | WT (kgs) | WLL (Tons) | F (mm) | K (mm) | L (mm) |
|-------------------|------------------------|-----------|-----------|-----------|-------------|---------------|-----------|-----------|-----------|
| <i>ALM 0026-1</i> | 6 | 7 | 7 | 16 | 75 | 41 | 25 | 1.1 | 0.20 |
| <i>ALM 0026-2</i> | 7.8 | 9 | 10 | 25 | 93 | 55 | 30 | 2.0 | 0.30 |
| <i>ALM 0026-3</i> | 10 | 12 | 13 | 35 | 128 | 77 | 41 | 3.2 | 0.80 |
| <i>ALM 0026-4</i> | 13 | 15 | 16 | 42 | 152 | 97 | 53 | 5.4 | 1.50 |
| <i>ALM 0026-5</i> | 16 | 17 | 20 | 45 | 180 | 102 | 58 | 8.0 | 2.90 |
| <i>ALM 0026-6</i> | 18.20 | 23 | 25 | 54 | 217 | 124 | 98 | 12.5 | 5.00 |

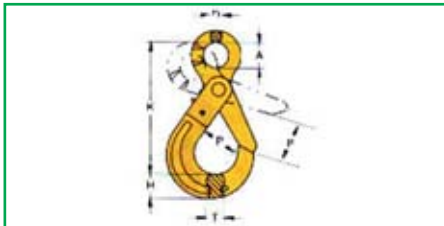
Hoist Hooks



Eye Hoist Hook With Latch

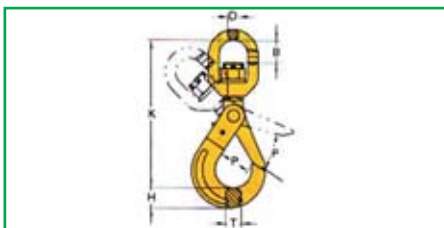
| Model No. | Size For Chain (mm) | Marking on hook | D (mm) | K (mm) | P (mm) | A (mm) | T (mm) | H (mm) | WLL (Tons) | WT (kgs) |
|-------------------|------------------------|--------------------|-----------|-----------|-----------|-----------|-----------|-----------|---------------|-------------|
| <i>ALM 0027-1</i> | 6 | 1T | 22 | 85 | 22 | 19 | 14 | 19 | 1.1 | 0.28 |
| <i>ALM 0027-2</i> | 7.8 | 2T | 26 | 107 | 25 | 29 | 20 | 26 | 2.0 | 0.67 |
| <i>ALM 0027-3</i> | 10 | 3T | 29 | 122 | 29 | 32 | 22 | 29 | 3.2 | 0.87 |
| <i>ALM 0027-4</i> | 13 | 5T | 38 | 150 | 38 | 40 | 30 | 37 | 5.4 | 1.92 |
| <i>ALM 0027-5</i> | 16 | 7T | 49 | 191 | 44 | 51 | 36 | 47 | 8.0 | 3.77 |
| <i>ALM 0027-6</i> | 18.20 | 11T | 62 | 233 | 60 | 62 | 41 | 57 | 12.5 | 6.81 |
| <i>ALM 0027-7</i> | 22 | 15T | 66 | 260 | 67 | 72 | 49 | 66 | 15.0 | 9.81 |
| <i>ALM 0027-8</i> | 26 | 22T | 72 | 326 | 76 | 89 | 60 | 76 | 21.6 | 17.93 |

Safety Hooks



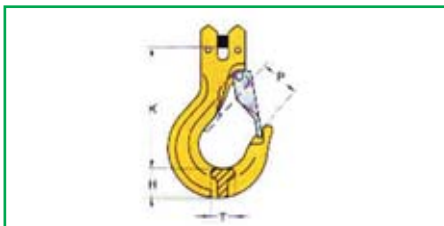
Eye Self Locking Safety Hook

| Model No. | Size For Chain (mm) | D (mm) | K (mm) | P (mm) | A (mm) | T (mm) | H (mm) | WLL (Tons) | WT (kgs) |
|-------------------|------------------------|-----------|-----------|-----------|-----------|-----------|-----------|---------------|-------------|
| <i>ALM 0028-1</i> | 6 | 10 | 110 | 29 | 21 | 15 | 20 | 1.1 | 0.50 |
| <i>ALM 0028-2</i> | 7.8 | 11 | 136 | 35 | 25 | 20 | 24 | 2.0 | 0.80 |
| <i>ALM 0028-3</i> | 10 | 13 | 167 | 45 | 32 | 26 | 30 | 3.2 | 1.40 |
| <i>ALM 0028-4</i> | 13 | 16 | 207 | 54 | 40 | 30 | 38 | 5.4 | 2.70 |
| <i>ALM 0028-5</i> | 16 | 21 | 252 | 62 | 52 | 40 | 48 | 8.0 | 5.60 |
| <i>ALM 0028-6</i> | 18.20 | 23 | 282 | 68 | 64 | 48 | 57 | 12.5 | 8.50 |
| <i>ALM 0028-7</i> | 22 | 24 | 319 | 82 | 70 | 49 | 63 | 15.0 | 11.20 |
| <i>ALM 0028-8</i> | 26 | 25 | 343 | 99 | 80 | 56 | 69 | 21.6 | 14.50 |



Swivel Self Locking Safety Hook

| Model No. | Size For Chain (mm) | D (mm) | K (mm) | P (mm) | A (mm) | B (mm) | T (mm) | H (mm) | WLL (Tons) | WT (kgs) |
|-------------------|------------------------|-----------|-----------|-----------|-----------|-----------|-----------|-----------|---------------|-------------|
| <i>ALM 0029-1</i> | 6 | 11 | 123 | 29 | 32 | 17 | 15 | 22 | 1.1 | 0.60 |
| <i>ALM 0029-2</i> | 7.8 | 13 | 151 | 35 | 36 | 21 | 20 | 26 | 2.0 | 1.10 |
| <i>ALM 0029-3</i> | 10 | 16 | 171 | 45 | 41 | 24 | 26 | 34 | 3.2 | 2.00 |
| <i>ALM 0029-4</i> | 13 | 21 | 209 | 53 | 46 | 27 | 30 | 42 | 5.4 | 4.00 |
| <i>ALM 0029-5</i> | 16 | 23 | 265 | 62 | 60 | 40 | 40 | 55 | 8.0 | 6.80 |
| <i>ALM 0029-6</i> | 18.20 | 25 | 358 | 68 | 74 | 82 | 48 | 63 | 12.5 | 11.60 |
| <i>ALM 0029-7</i> | 22 | 29 | 430 | 82 | 80 | 63 | 49 | 65 | 15.0 | 16.00 |
| <i>ALM 0029-8</i> | 26 | 32 | 480 | 99 | 105 | 96 | 56 | 69 | 21.6 | 21.50 |

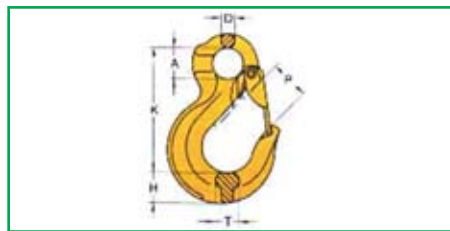


Clevis Self Locking Safety Hook

| Model No. | Size For Chain (mm) | K (mm) | P (mm) | T (mm) | H (mm) | WLL (Tons) | WT (kgs) |
|-------------------|------------------------|-----------|-----------|-----------|-----------|---------------|-------------|
| <i>ALM 0030-1</i> | 6 | 100 | 28 | 14 | 19 | 1.1 | 0.50 |
| <i>ALM 0030-2</i> | 7.8 | 119 | 34 | 19 | 24 | 2.0 | 0.80 |
| <i>ALM 0030-3</i> | 10 | 143 | 45 | 24 | 31 | 3.2 | 1.50 |
| <i>ALM 0030-4</i> | 13 | 179 | 54 | 27 | 40 | 5.4 | 2.80 |
| <i>ALM 0030-5</i> | 16 | 212 | 63 | 36 | 43 | 8.0 | 5.60 |
| <i>ALM 0030-6</i> | 18.20 | 319 | 80 | 49 | 71 | 12.5 | 7.50 |

CHAIN AND ACCESSORIES

Sling Hooks



Eye Sling Hook With Latch

| Model No. | Size For Chain | D | K | P | A | T | H | WLL | WT |
|-------------------|----------------|------|------|------|------|------|------|--------|-------|
| | (mm) | (mm) | (mm) | (mm) | (mm) | (mm) | (mm) | (Tons) | (kgs) |
| <i>ALM 0031-1</i> | 6 | 9 | 80 | 24 | 20 | 16 | 20 | 1.1 | 0.30 |
| <i>ALM 0031-2</i> | 7.8 | 11 | 98 | 30 | 25 | 19 | 23 | 2.0 | 0.40 |
| <i>ALM 0031-3</i> | 10 | 15 | 121 | 36 | 32 | 23 | 31 | 3.2 | 0.90 |
| <i>ALM 0031-4</i> | 13 | 18 | 152 | 43 | 40 | 28 | 38 | 5.4 | 1.70 |
| <i>ALM 0031-5</i> | 16 | 22 | 183 | 47 | 50 | 32 | 47 | 8.0 | 3.20 |
| <i>ALM 0031-6</i> | 18.20 | 27 | 219 | 52 | 60 | 43 | 48 | 12.5 | 5.20 |
| <i>ALM 0031-7</i> | 22 | 32 | 240 | 70 | 60 | 50 | 74 | 15.0 | 8.50 |
| <i>ALM 0031-8</i> | 26 | 34 | 270 | 80 | 66 | 60 | 80 | 21.6 | 12.70 |
| <i>ALM 0031-9</i> | 32 | 37 | 320 | 90 | 75 | 65 | 91 | 32.0 | 16.50 |



Clevis Sling Hook With Latch

| Model No. | Size For Chain | K | P | T | H | WLL | WT |
|-------------------|----------------|------|------|------|------|--------|-------|
| | (mm) | (mm) | (mm) | (mm) | (mm) | (Tons) | (kgs) |
| <i>ALM 0032-1</i> | 6 | 78 | 22 | 15 | 18 | 1.1 | 0.30 |
| <i>ALM 0032-2</i> | 7.8 | 95 | 30 | 19 | 23 | 2.0 | 0.50 |
| <i>ALM 0032-3</i> | 10 | 120 | 36 | 23 | 31 | 3.2 | 1.00 |
| <i>ALM 0032-4</i> | 13 | 147 | 44 | 28 | 38 | 5.4 | 2.10 |
| <i>ALM 0032-5</i> | 16 | 169 | 46 | 33 | 44 | 8.0 | 3.70 |
| <i>ALM 0032-6</i> | 18.20 | 190 | 60 | 50 | 52 | 12.5 | 6.00 |

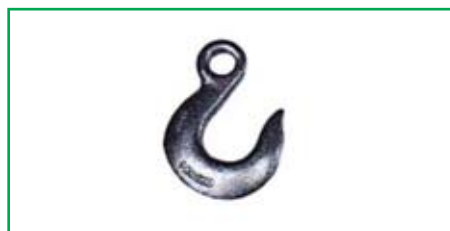
Slip Hooks



Clevis Slip Hook

| Model No. | Chain Size | W.L.L. (Lbs) | | I.L. | N.W. |
|-------------------|------------|--------------|-------------|------|-------|
| | Inch | Carbon Steel | Alloy Steel | Inch | Lbs |
| <i>ALM 0033-1</i> | 1/4 | 1950 | 2750 | 2.56 | 0.50 |
| <i>ALM 0033-2</i> | 5/16 | 2875 | 4300 | 2.87 | 0.75 |
| <i>ALM 0033-3</i> | 3/8 | 4000 | 5250 | 3.25 | 1.20 |
| <i>ALM 0033-4</i> | 7/16 | 5000 | 7000 | 3.70 | 2.06 |
| <i>ALM 0033-5</i> | 1/2 | 6500 | 9000 | 4.00 | 2.80 |
| <i>ALM 0033-6</i> | 5/8 | 9250 | 13500 | 4.94 | 4.75 |
| <i>ALM 0033-7</i> | 3/4 | 12500 | 19250 | 6.09 | 10.30 |

Min. Breaking Strength = 4 X W.L.L.



Eye Slip Hook

| Model No. | Chain Size | W.L.L. (Lbs) | | I.L. | N.W. |
|-------------------|------------|--------------|-------------|------|------|
| | Inch | Carbon Steel | Alloy Steel | Inch | Lbs |
| <i>ALM 0034-1</i> | 1/4 | 1950 | 2750 | 2.56 | 0.40 |
| <i>ALM 0034-2</i> | 5/16 | 2875 | 4300 | 2.95 | 0.70 |
| <i>ALM 0034-3</i> | 3/8 | 4000 | 5250 | 3.36 | 1.00 |
| <i>ALM 0034-4</i> | 7/16 | 5000 | 7000 | 3.88 | 1.60 |
| <i>ALM 0034-5</i> | 1/2 | 6500 | 9000 | 4.28 | 2.40 |
| <i>ALM 0034-6</i> | 5/8 | 9250 | 13500 | 5.22 | 4.00 |
| <i>ALM 0034-7</i> | 3/4 | 12500 | 19250 | 5.80 | 6.50 |

Load Binders



Ratchet Type Load Binder

| Model No. | SIZE | W.L.L. | M.B.S. | N.W. |
|-------------------|------------|--------|--------|-------|
| | inch | lbs | lbs | lbs |
| <i>ALM 0035-1</i> | 1/4 - 5/16 | 2600 | 9200 | 3.75 |
| <i>ALM 0035-2</i> | 5/16 - 3/8 | 5400 | 19000 | 10.50 |
| <i>ALM 0035-3</i> | 3/8 - 1/2 | 9200 | 33000 | 12.90 |
| <i>ALM 0035-4</i> | 1/2 - 5/8 | 13000 | 46000 | 14.55 |
| <i>ALM 0035-5</i> | 5/16 - 3/8 | 6600 | 26000 | 11.23 |



Ratchet Type Load Binder

| Model No. | SIZE | W.L.L. | M.B.S. | N.W. |
|-----------------|------------|--------|--------|------|
| | inch | lbs | lbs | lbs |
| <i>ALM 0036</i> | 5/16 - 3/8 | 5400 | 19000 | 9.15 |

CHAIN AND ACCESSORIES
Shackles



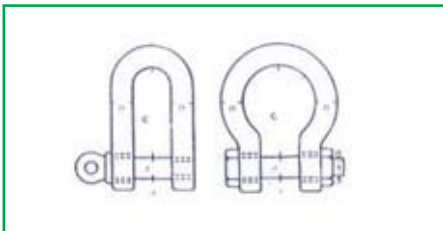
JIS Type
Screw Pin Anchor Shackle

| Model No. | SIZE | W.L.L. | I.L. | N.W. |
|--------------------|------|--------|------|-------|
| | mm | kgs | mm | kg |
| <i>ALM 0037-1</i> | 5 | 90 | 19 | 0.026 |
| <i>ALM 0037-2</i> | 6 | 150 | 25 | 0.028 |
| <i>ALM 0037-3</i> | 8 | 250 | 26 | 0.065 |
| <i>ALM 0037-4</i> | 10 | 400 | 32 | 0.080 |
| <i>ALM 0037-5</i> | 12 | 600 | 43 | 0.200 |
| <i>ALM 0037-6</i> | 16 | 800 | 51 | 0.495 |
| <i>ALM 0037-7</i> | 20 | 1000 | 62 | 0.800 |
| <i>ALM 0037-8</i> | 22 | 1500 | 72 | 1.260 |
| <i>ALM 0037-9</i> | 25 | 2000 | 83 | 1.260 |
| <i>ALM 0037-10</i> | 28 | 2500 | 108 | 2.650 |

M.B.S. IS 4 TIMES OF W.L.L.

| | | | |
|--|---|--|---|
| <p><i>ALM 0038</i></p> <p>Chain Shackle with Screw Pin (Type G210)</p> | <p><i>ALM 0039</i></p> <p>Anchor Shackle with Screw Pin (Type G209)</p> | <p><i>ALM 0040</i></p> <p>Chain Shackle with Bolt & Nut (Type G2150)</p> | <p><i>ALM 0041</i></p> <p>Anchor Shackle with Bolt & Nut (Type G2130)</p> |
|--|---|--|---|

Shackles - U.S. Federal Type Shackles



Hot dipped galvanised
According to U.S. Federal Specification
RR-C-271D
Safety factor: 6 times safe working load
Material: Both body and pin alloy steel, heat treated

| Model No. | Safe Working Load | Dia. Of Body | Dia. Pin | Inside Width | Inside Chain | Length Anchor | Width Of Bow | Approx. Weight Of 100 Pcs | |
|-----------|-------------------|--------------|----------|--------------|--------------|---------------|--------------|---------------------------|------------|
| | | D | d | a | 2r | Type c | Type c | Screw Pin | Bolt & Nut |
| | | mm | mm | mm | mm | mm | mm | mm | KG |
| <i>1</i> | 0.33 | 5 | 6 | 10 | - | 22 | 16.5 | 2.25 | - |
| <i>2</i> | 0.5 | 6 | 8 | 12 | - | 28 | 20 | 5 | - |
| <i>3</i> | 0.75 | 8 | 10 | 13 | 27 | 31 | 21 | 7.75 | - |
| <i>4</i> | 1 | 10 | 11 | 16 | 31 | 36 | 26 | 14 | - |
| <i>5</i> | 1.5 | 11 | 13 | 18 | 37 | 43 | 29 | 19 | - |
| <i>6</i> | 2 | 13 | 16 | 22 | 43 | 51 | 32 | 34 | 38 |
| <i>7</i> | 3.25 | 16 | 19 | 26 | 51 | 64 | 43 | 63 | 70 |
| <i>8</i> | 4.75 | 19 | 22 | 31 | 59 | 76 | 51 | 95 | 100 |
| <i>9</i> | 6.5 | 22 | 25 | 36 | 73 | 83 | 58 | 155 | 170 |
| <i>10</i> | 8.5 | 25 | 28 | 43 | 85 | 95 | 68 | 230 | 260 |
| <i>11</i> | 9.5 | 28 | 32 | 47 | 90 | 108 | 75 | 324 | 380 |
| <i>12</i> | 12 | 32 | 35 | 51 | 94 | 115 | 83 | 440 | 480 |
| <i>13</i> | 13.5 | 35 | 38 | 57 | 115 | 133 | 92 | 600 | 700 |
| <i>14</i> | 17 | 38 | 42 | 60 | 127 | 146 | 99 | 750 | 850 |
| <i>15</i> | 25 | 45 | 50 | 74 | 149 | 178 | 126 | 1400 | 1600 |
| <i>16</i> | 35 | 50 | 57 | 83 | 171 | 197 | 146 | 1892 | 2100 |
| <i>17</i> | 55 | 65 | 70 | 105 | 203 | 254 | 185 | 3175 | 4200 |
| <i>18</i> | 85 | 75 | 80 | 127 | 230 | 330 | 190 | - | 6900 |
| <i>19</i> | 120 | 89 | 85 | 146 | 267 | 381 | 238 | - | 12000 |

CHAIN AND ACCESSORIES

Turnbuckles



Eye-Eye
ALM 0042



Hook-Eye
ALM 0043



Hook-Hook
ALM 0044



Jaw-Eye
ALM 0045



Jaw-Jaw
ALM 0046



Stub-Stub
ALM 0047



Turnbuckle Body
ALM 0048

| Model No. | SIZE (inch) (Dia.X Take-up) | APPROX. WEIGHT EACH (lbs) | | | | | W.L.L. (lbs) | | |
|-----------|--------------------------------|---------------------------|---------|---------|----------|-----------|--------------|----------------------|--|
| | | Eyes &/or Hooks | Jaw&Eye | Jaw&Jaw | Stub End | Body only | H&H H&E | E&E J&E J&J Stub End | |
| 1 | 1/4"X4" | 0.30 | 0.30 | 0.40 | 0.29 | 0.17 | 400 | 500 | |
| 2 | 5/16"X4-1/2" | 0.50 | 0.53 | 0.58 | 0.46 | 0.25 | 700 | 800 | |
| 3 | 3/8"X6" | 0.75 | 0.82 | 0.93 | 0.75 | 0.30 | 1000 | 1200 | |
| 4 | 1/2"X6" | 1.50 | 1.62 | 1.68 | 1.36 | 0.55 | 1500 | 2200 | |
| 5 | 1/2"X9" | 1.75 | 1.82 | 1.85 | 1.69 | 0.74 | 1500 | 2200 | |
| 6 | 1/2"X12" | 2.18 | 2.19 | 2.20 | 2.00 | 0.93 | 1500 | 2200 | |
| 7 | 5/8"X6" | 2.63 | 2.59 | 2.82 | 2.15 | 0.91 | 2250 | 3500 | |
| 8 | 5/8"X9" | 3.00 | 3.01 | 3.25 | 2.70 | 1.20 | 2250 | 3500 | |
| 9 | 5/8"X12" | 3.25 | 3.50 | 3.75 | 3.22 | 1.50 | 2250 | 3500 | |
| 10 | 3/4"X6" | 3.75 | 4.25 | 4.68 | 3.25 | 1.30 | 3000 | 5200 | |
| 11 | 3/4"X9" | 4.50 | 5.00 | 5.38 | 4.00 | 1.70 | 3000 | 5200 | |
| 12 | 3/4"X12" | 5.75 | 5.75 | 6.12 | 4.65 | 2.12 | 3000 | 5200 | |
| 13 | 3/4"X18" | 7.00 | 7.25 | 7.25 | 6.12 | 2.93 | 3000 | 5200 | |
| 14 | 7/8"X8" | 5.85 | 6.29 | 6.84 | 4.75 | 2.00 | 4000 | 7200 | |
| 15 | 7/8"X12" | 8.38 | 8.88 | 9.39 | 6.67 | 3.00 | 4000 | 7200 | |
| 16 | 7/8"X18" | 10.25 | 1.60 | 11.44 | 8.75 | 4.12 | 4000 | 7200 | |
| 17 | 1"X6" | 8.76 | 9.16 | 9.51 | 6.41 | 2.50 | 5000 | 10000 | |
| 18 | 1"X12" | 11.25 | 12.00 | 12.88 | 8.90 | 3.86 | 5000 | 10000 | |
| 19 | 1"X18" | 14.00 | 14.75 | 16.10 | 11.70 | 5.50 | 5000 | 10000 | |
| 20 | 1"X24" | 17.00 | 17.75 | 18.60 | 14.30 | 7.00 | 5000 | 10000 | |
| 21 | 1-1/4"X6" | 15.45 | 16.03 | 16.69 | 10.40 | 4.00 | 6500 | 15200 | |
| 22 | 1-1/4"X12" | 19.00 | 21.20 | 23.60 | 14.20 | 5.93 | 6500 | 15200 | |
| 23 | 1-1/4"X18" | 24.10 | 26.00 | 26.60 | 18.00 | 8.00 | 6500 | 15200 | |
| 24 | 1-1/4"X24" | 25.00 | 28.70 | 31.20 | 21.80 | 10.00 | 6500 | 15200 | |
| 25 | 1-1/2"X6" | -- | -- | -- | 15.40 | 5.80 | 7500 | 21400 | |
| 26 | 1-1/2"X12" | 27.00 | 31.10 | 35.50 | 20.50 | 8.40 | 7500 | 21400 | |
| 27 | 1-1/2"X18" | 31.20 | 36.40 | 40.70 | 26.20 | 11.50 | 7500 | 21400 | |
| 28 | 1-1/2"X24" | 38.20 | 44.20 | 47.60 | 31.40 | 14.10 | 7500 | 21400 | |
| 29 | 1-3/4"X6" | -- | -- | -- | 22.70 | 8.75 | -- | 28000 | |
| 30 | 1-3/4"X18" | 45.20 | 48.80 | 52.40 | -- | -- | -- | 28000 | |
| 31 | 1-3/4"X24" | 58.00 | 60.00 | 64.00 | 43.90 | 19.50 | -- | 28000 | |
| 32 | 2"X6" | -- | -- | -- | 31.50 | 12.50 | -- | 37000 | |
| 33 | 2"X24" | 90.00 | 102.00 | 115.00 | 60.30 | 27.50 | -- | 37000 | |
| 34 | 2-1/2"X6" | -- | -- | -- | 60.80 | 27.00 | -- | 60000 | |
| 35 | 2-1/2"X24" | 180.00 | 183.00 | 200.00 | 110.00 | 54.00 | -- | 60000 | |
| 36 | 2-3/4"X6" | 210.00 | 214.00 | 248.00 | -- | 67.00 | -- | 75000a | |

CHAIN AND ACCESSORIES
Snap Hooks & Quick Link



Snap Hook

| Model No. | SIZE | SIZE | SIZE |
|------------------------|----------|------|-----------|
| | mm | LBS | Kg/100pcs |
| ALM 0049-1 | 4 x 40 | 200 | 1.20 |
| ALM 0049-2 | 5 x 50 | 220 | 1.80 |
| ALM 0049-3 | 6 x 60 | 260 | 2.80 |
| ALM 0049-4 | 7 x 70 | 400 | 4.50 |
| ALM 0049-5 | 8 x 80 | 500 | 7.00 |
| ALM 0049-6 | 9 x 90 | 550 | 9.00 |
| ALM 0049-7 | 10 x 100 | 770 | 14.40 |
| ALM 0049-8 | 11 x 120 | 990 | 19.20 |
| ALM 0049-9 | 12 x 140 | 1200 | 27.00 |
| MBS IS \$ TIMES OF WLL | | | |



Snap Hook With Eyelet

| Model No. | SIZE | SIZE | SIZE |
|------------|------------------------|------|-----------|
| | mm | LBS | Kg/100pcs |
| ALM 0050-1 | 4 x 40 | 200 | 1.50 |
| ALM 0050-2 | 5 x 50 | 220 | 2.00 |
| ALM 0050-3 | 6 x 60 | 260 | 3.00 |
| ALM 0050-4 | 7 x 70 | 400 | 5.00 |
| ALM 0050-5 | 8 x 80 | 500 | 7.50 |
| ALM 0050-6 | 9 x 90 | 550 | 9.80 |
| ALM 0050-7 | 10 x 100 | 770 | 16.00 |
| ALM 0050-8 | 11 x 120 | 990 | 21.00 |
| ALM 0050-9 | MBS IS \$ TIMES OF WLL | | |



Quick Link

| Model No. | SIZE | WLL | O.L. | N.W. |
|------------------------|------|------|------|-----------|
| | mm | LBS | mm | Kg/100pcs |
| ALM 0051-1 | 3 | 400 | 30 | 0.70 |
| ALM 0051-2 | 3.5 | 440 | 36 | 0.80 |
| ALM 0051-3 | 4 | 660 | 40 | 1.20 |
| ALM 0051-4 | 5 | 770 | 50 | 2.00 |
| ALM 0051-5 | 6 | 880 | 58 | 3.50 |
| ALM 0051-6 | 7 | 1300 | 68 | 6.50 |
| ALM 0051-7 | 8 | 1760 | 76 | 7.80 |
| ALM 0051-8 | 9 | 1950 | 83 | 11.00 |
| ALM 0051-9 | 10 | 2200 | 92 | 13.50 |
| ALM 0051-10 | 12 | 4500 | 107 | 25.00 |
| MBS IS \$ TIMES OF WLL | | | | |

LIFTING CLAMP
Horizontal Lifting Clamps



ALM 0052



Superfinishing of Bores

- Available in capacities of 1 and 2 metric tons.
- Jaw openings available: 0 to 1"
- Welded alloy steel body for strength and smaller size. Forged alloy components, where required.
- Individually Proof Tested to 2 times the Working Load Limit with certification.
- Company name (IP), logo, Working Load Limit and jaw opening permanently stamped on body.
- Each product is individually serialized, with the serial number and Proof Load test date stamped on body. Serial number is included on the test certificate with maintenance and warranty logbook.
- Maintenance replacement kits are available.
- Manufactured by a ISO 9001 facility.

Snap Hook With Eyelet

| Model No. | Model | Working Load Limit (tons) | IPBC Stock No. | Weight Each (lbs) | Dimensions (in.) | | | | | | | | | | |
|------------|-------|---------------------------|----------------|-------------------|------------------|------|------|------|------|------|------|------|------|------|--|
| | | | | | Jaw A | B | C | D | E | F | G | H | J | K | |
| ALM 0052-1 | IPBC | 1 | 2700410 | 8 | 0 - .75 | 5.2 | 2.05 | 7.48 | 1.03 | 2.95 | 5.31 | 1.42 | 0.63 | 7.17 | |
| ALM 0052-2 | IPBC | 2 | 2700411 | 14 | 0 - 1.00 | 5.98 | 2.44 | 8.16 | 1.19 | 3.23 | 5.98 | 1.92 | 0.78 | 8.58 | |

* Ultimate load is 5 times the Working Load Limit



ALM 0053

Gear Trolley

| Model No. | Cap Tons | Width | | High | | Min Revolving Radius | Wt Kgs |
|------------|----------|-------|-----|------|-----|----------------------|--------|
| | | Min | Max | Min | Max | | |
| ALM 0053-1 | 1 | 75 | 125 | 125 | 250 | 1300 | 14.0 |
| ALM 0053-2 | 2 | 100 | 150 | 150 | 400 | 1500 | 23.5 |
| ALM 0053-3 | 3 | 100 | 150 | 180 | 400 | 2000 | 33.5 |
| ALM 0053-4 | 5 | 125 | 175 | 250 | 450 | 2600 | 53.5 |
| ALM 0053-5 | 10 | 150 | 175 | 250 | 450 | Infinity | 101.0 |

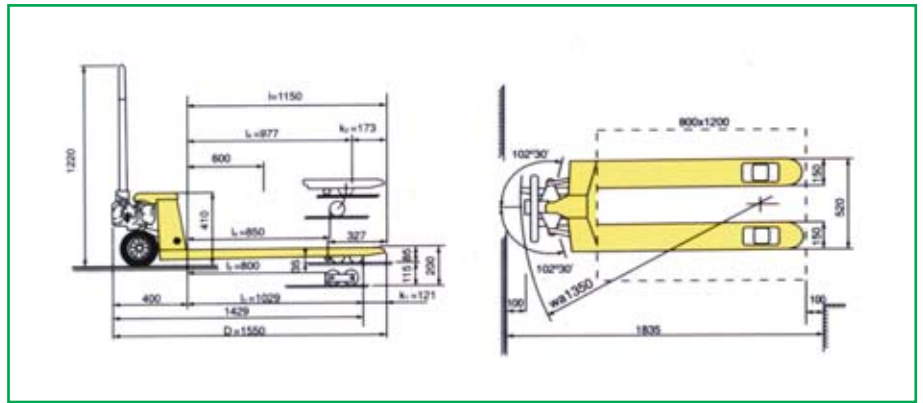


ALM 0054

Plain Trolley

| Model No. | Cap Tons | Width | | High | | Min Revolving Radius | Wt Kgs |
|------------|----------|-------|-----|------|-----|----------------------|--------|
| | | Min | Max | Min | Max | | |
| ALM 0054-1 | 1 | 75 | 125 | 100 | 150 | 900 | 6.0 |
| ALM 0054-2 | 2 | 75 | 125 | 125 | 250 | 1300 | 10.0 |
| ALM 0054-3 | 3 | 100 | 150 | 150 | 400 | 1500 | 18.5 |
| ALM 0054-4 | 5 | 100 | 150 | 180 | 400 | 2000 | 26.0 |
| ALM 0054-5 | 10 | 125 | 175 | 250 | 450 | 2600 | 44.0 |
| ALM 0054-6 | 10 | 150 | 175 | 250 | 450 | Infinity | 96.0 |

CHAIN AND ACCESSORIES Snap Hooks & Quick Link



| Model No. | Capacity (kg) | Max Fork Height (mm) | Min Fork Height (mm) | Fork Length (mm) | Width Overall Forks (mm) | Individual Fork Width (mm) | Load Roller Diameter | Steering Wheel Diameter (mm) | Net Weight (kg) |
|------------|---------------|----------------------|----------------------|------------------|--------------------------|----------------------------|----------------------|------------------------------|-----------------|
| ALM 0055-1 | 2000 | 200 (or 190) | 85 (or 75) | 1150 | 540 | 150 | dia82 or 72 | dia200 or 180 | 75 |
| ALM 0055-2 | 2000 | 200 (or 190) | 85 (or 75) | 1200 | 680 | 150 | Nylon, Polyurethane | Nylon, Polyurethane | 78 |
| ALM 0055-3 | 2500 | 200 (or 190) | 85 (or 75) | 1150 | 540 | 150 | | Rubber | 77 |
| ALM 0055-4 | 2500 | 200 (or 190) | 85 (or 75) | 1200 | 680 | 150 | | | 80 |
| ALM 0055-5 | 3000 | 200 (or 190) | 85 (or 75) | 1150 | 540 | 150 | | | 85 |
| ALM 0055-6 | 3000 | 200 (or 190) | 85 (or 75) | 1200 | 680 | 150 | | | 88 |

Trolley



NB-101



NF-301



PB-101B-P



PF-301B-P



| Model No. | Dimension (L x W") | Load Capacity (Kgs.) | Net Weight (Kgs.) | Caster |
|------------|--------------------|----------------------|-------------------|------------|
| ALM 0060-1 | 30 x 19" | 150 | 12.5 | 100MM (4") |
| ALM 0060-2 | 37 x 25" | 300 | 22.5 | 130MM (5") |



| Model No. | Dimension (L x W") | Load Capacity (Kgs.) | Net Weight (Kgs.) | Caster |
|------------|--------------------|----------------------|-------------------|------------|
| ALM 0061-1 | 28 x 18" | 120 | 9 | 100MM (4") |
| ALM 0061-2 | 36 x 24" | 300 | 17 | 130MM (5") |

Trolley

LIFTING CLAMP
Vertical Lifting Clamps

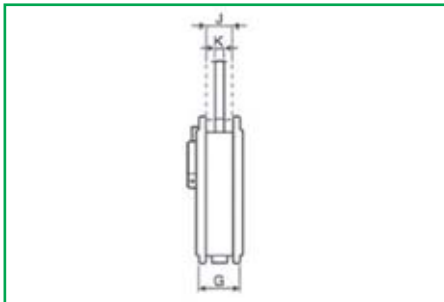
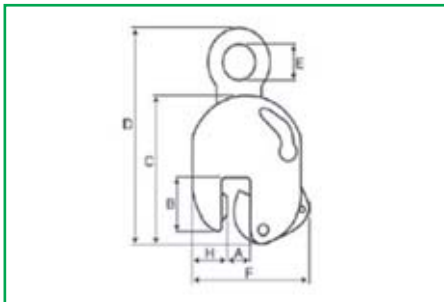


Universal - For Lifting in any Direction

- Available in capacities of .5 thru 30 metric tons (Higher Working Load Limits are available upon request).
- Wide variety of jaw openings available: 0 to 6-1/8".
- Welded alloy steel body for strength and smaller size. Forged alloy components, where required.
- Individually Proof Tested to 2 times the Working Load Limit with certification.
- Company name (IP), logo, Working Load Limit and jaw opening permanently stamped on body.
- Each product is individually serialized, with the serial number and Proof Load test date stamped on body. Serial number is included on the test certificate with maintenance and warranty logbook.
- Available in a variety of styles:
 - IPU10 : Standard clamp for materials with a surface hardness to 37Rc (345 HB).
 - IPU10J : Larger jaw opening.

Full 180 turning range for material transfer, turning or moving.

- Lock open, lock closed ability with latch for pretension on material and then release of material.
- Minimum WLL of 10% Maximum WLL.
- Manufactured by a ISO 9001 facility.



| Model No. | Model | Working Load Limit (tons)* | IPU10 Stock No. | Weight Each (lbs.) | Dimensions (in.) | | | | | | | | | |
|--------------------|--------|----------------------------|-----------------|--------------------|------------------|------|-------|-------|------|-------|------|------|------|------|
| | | | | | Jaw A | B | C | D | E | F | G | H | J | K |
| <i>ALM 0062-1</i> | IPU10 | 0.5 | 2701675 | 4.2 | 0 - .63 | 1.73 | 5.05 | 8.97 | 1.19 | 4.53 | 1.61 | 1.11 | -- | .39 |
| <i>ALM 0062-2</i> | IPU10 | 1 | 2701663 | 4.6 | 0 - .75 | 1.75 | 5.47 | 8.75 | 1.19 | 4.47 | 1.63 | 1.5 | -- | .39 |
| <i>ALM 0062-3</i> | IPU10 | 2 | 2701677 | 16.8 | 0 - 1.38 | 3.08 | 7.91 | 14.64 | 2.75 | 7.47 | 2.41 | 2.17 | -- | .63 |
| <i>ALM 0062-4</i> | IPU10 | 3 | 2701665 | 32.6 | 0 - 1.63 | 3.94 | 9.95 | 17.52 | 2.95 | 8.86 | 3.08 | 2.36 | -- | .78 |
| <i>ALM 0062-5</i> | IPU10 | 4.5 | 2701667 | 35.3 | 0 - 1.63 | 3.94 | 9.95 | 17.52 | 2.95 | 8.86 | 3.23 | 2.56 | -- | .78 |
| <i>ALM 0062-6</i> | IPU10 | 6 | 2701669 | 52.9 | 0 - 2.00 | 4.95 | 11.89 | 20.67 | 3.16 | 11.5 | 3.31 | 3.73 | 1.73 | .78 |
| <i>ALM 0062-7</i> | IPU10 | 9 | 2701671 | 65 | 0 - 2.00 | 4.95 | 12.8 | 21.92 | 3.17 | 12.2 | 3.13 | 4.14 | 1.73 | .78 |
| <i>ALM 0062-8</i> | IPU10J | 9 | 2701673 | 67.2 | 2.00 - 3.88 | 4.95 | 12.8 | 22.13 | 3.16 | 14.17 | 3.13 | 4.14 | 1.73 | .78 |
| <i>ALM 0062-9</i> | IPU10 | 12 | 2701679 | 125.7 | 0 - 2.13 | 6.3 | 15.39 | 24.53 | 3.16 | 13.03 | 4.61 | 5.39 | 1.61 | 1 |
| <i>ALM 0062-10</i> | IPU10J | 12 | 2701681 | 130 | 2.13 - 4.25 | 7.02 | 17.28 | 26.5 | 3.16 | 16.34 | 4.61 | 5.39 | 1.61 | 1 |
| <i>ALM 0062-11</i> | IPU10 | 16 | 2701683 | 174 | .25 - 2.50 | 7.02 | 18.31 | 28.89 | 3.47 | 15.63 | 4.69 | 6.03 | 1.77 | 1 |
| <i>ALM 0062-12</i> | IPU10J | 16 | 2701685 | 203 | 2.50 - 5.00 | 8.19 | 20.52 | 31.11 | 3.47 | 18.58 | 4.99 | 6.34 | 1.77 | 1 |
| <i>ALM 0062-13</i> | IPU10 | 22.5 | 2701687 | 281 | .25 - 3.13 | 8.73 | 21.81 | 33.66 | 4.33 | 18.5 | 5.36 | 7.33 | 1.92 | 1 |
| <i>ALM 0062-14</i> | IPU10J | 22.5 | 2701689 | 288 | 3.13 - 6.13 | 9.95 | 24.72 | 36.61 | 4.33 | 22.64 | 5.36 | 7.72 | 1.92 | 1 |
| <i>ALM 0062-15</i> | IPU10 | 30 | 2701691 | 337 | .25 - 3.13 | 8.72 | 21.45 | 33.86 | 4.33 | 18.5 | 5.98 | 7.22 | 2.13 | 1.19 |
| <i>ALM 0062-16</i> | IPU10J | 30 | 2701693 | 364 | 3.13 - 6.13 | 9.84 | 24.41 | 36.81 | 4.33 | 22.25 | 5.98 | 7.72 | 2.13 | 1.19 |

WIRE ROPES ACCESSORIES



Eye Bolt

| Model No. | SIZE | EYE | LEG | W.L.L. | N.W. |
|-------------------|------|-----|-----|--------|-----------|
| | mm | mm | mm | kgs | kg/100pcs |
| <i>ALM 0063-1</i> | 6 | 16 | 13 | 70 | 5.00 |
| <i>ALM 0063-2</i> | 8 | 20 | 15 | 140 | 6.00 |
| <i>ALM 0063-3</i> | 10 | 25 | 18 | 230 | 11.00 |
| <i>ALM 0063-4</i> | 12 | 30 | 22 | 340 | 16.00 |
| <i>ALM 0063-5</i> | 14 | 35 | 28 | 490 | 28.00 |
| <i>ALM 0063-6</i> | 16 | 35 | 28 | 700 | 28.50 |
| <i>ALM 0063-7</i> | 20 | 40 | 30 | 1200 | 45.00 |
| <i>ALM 0063-8</i> | 22 | 45 | 35 | 1500 | 67.00 |
| <i>ALM 0063-9</i> | 24 | 50 | 38 | 1800 | 87.00 |



Eye Nut

| Model No. | SIZE | EYE | W.L.L. | N.W. |
|-------------------|------|-----|--------|-----------|
| | mm | mm | kgs | kg/100pcs |
| <i>ALM 0064-1</i> | 6 | 16 | 70 | 5.90 |
| <i>ALM 0064-2</i> | 8 | 20 | 140 | 5.00 |
| <i>ALM 0064-3</i> | 10 | 25 | 230 | 9.00 |
| <i>ALM 0064-4</i> | 12 | 30 | 340 | 16.00 |
| <i>ALM 0064-5</i> | 16 | 35 | 700 | 24.00 |
| <i>ALM 0064-6</i> | 20 | 40 | 1200 | 36.00 |
| <i>ALM 0064-7</i> | 22 | 45 | 1500 | 58.00 |
| <i>ALM 0064-8</i> | 24 | 50 | 1800 | 72.00 |

WIRE ROPES ACCESSORIES



Oblong Master Link

| Model No. | SIZE | W.L.L. | I.L. | I.W. | N.W. |
|-------------------|---------|--------|-------|------|-------|
| | inch | lbs | mm | mm | kg |
| <i>ALM 0065-1</i> | 1/2 | 4100 | 5.00 | 2.50 | 0.89 |
| <i>ALM 0065-2</i> | 5/8 | 5500 | 6.00 | 3.00 | 1.63 |
| <i>ALM 0065-3</i> | 3/4 | 8600 | 5.50 | 2.75 | 2.25 |
| <i>ALM 0065-4</i> | 1 | 20300 | 7.00 | 3.50 | 5.00 |
| <i>ALM 0065-5</i> | 1 - 1/4 | 29300 | 8.75 | 4.38 | 9.75 |
| <i>ALM 0065-6</i> | 1 - 1/2 | 39900 | 10.50 | 5.25 | 17.12 |
| <i>ALM 0065-7</i> | 1 - 3/4 | 52100 | 12.00 | 6.00 | 26.12 |

MIN. BREAKING STRENGTH = 6 X W.L.L.



Pear Shaped Link

| Model No. | SIZE | W.L.L. | I.L. | I.W. (inch) | | N.W. |
|-------------------|---------|--------|------|-------------|-----------|-------|
| | inch | lbs | mm | SMALL END | LARGE END | lbs |
| <i>ALM 0066-1</i> | 3/8 | 1600 | 2.25 | 0.75 | 1.50 | 0.23 |
| <i>ALM 0066-2</i> | 1/2 | 2900 | 3.00 | 1.00 | 2.00 | 0.55 |
| <i>ALM 0066-3</i> | 5/8 | 4200 | 3.75 | 1.25 | 2.50 | 1.10 |
| <i>ALM 0066-4</i> | 3/4 | 6000 | 4.50 | 1.50 | 3.00 | 1.95 |
| <i>ALM 0066-5</i> | 7/8 | 8300 | 5.25 | 1.75 | 3.50 | 2.78 |
| <i>ALM 0066-6</i> | 1 | 10800 | 6.00 | 2.00 | 4.00 | 4.30 |
| <i>ALM 0066-7</i> | 1 - 1/4 | 16750 | 7.75 | 2.50 | 5.00 | 8.50 |
| <i>ALM 0066-8</i> | 1 - 3/8 | 20500 | 8.25 | 2.50 | 5.00 | 11.50 |

MIN. BREAKING STRENGTH = 6 X W.L.L.



Round Ring

| Model No. | SIZE | W.L.L. | I.D. | N.W. |
|-------------------|---------|--------|------|-------|
| | inch | lbs | inch | lbs |
| <i>ALM 0067-1</i> | 7/8 | 7200 | 4.00 | 2.70 |
| <i>ALM 0067-2</i> | 7/8 | 5600 | 5.50 | 3.40 |
| <i>ALM 0067-3</i> | 1 | 10800 | 4.00 | 3.50 |
| <i>ALM 0067-4</i> | 1 - 1/8 | 10400 | 6.00 | 6.50 |
| <i>ALM 0067-5</i> | 1 - 1/4 | 17000 | 5.00 | 7.00 |
| <i>ALM 0067-6</i> | 1 - 3/8 | 19000 | 6.00 | 10.63 |

MIN. BREAKING STRENGTH = 6 X W.L.L.



Swivel

| Model No. | SIZE | W.L.L. | O.L. | O.W. | N.W. |
|-------------------|------|--------|------|------|------|
| | inch | lbs | inch | inch | lbs |
| <i>ALM 0068-1</i> | 1/4 | 850 | 2.94 | 1.25 | 0.21 |
| <i>ALM 0068-2</i> | 5/16 | 1250 | 3.56 | 1.63 | 0.39 |
| <i>ALM 0068-3</i> | 3/8 | 2250 | 4.31 | 2.00 | 0.75 |
| <i>ALM 0068-4</i> | 1/2 | 3600 | 5.44 | 2.50 | 1.43 |
| <i>ALM 0068-5</i> | 5/8 | 5200 | 6.56 | 3.00 | 2.50 |
| <i>ALM 0068-6</i> | 3/4 | 7200 | 7.19 | 3.50 | 4.13 |
| <i>ALM 0068-7</i> | 7/8 | 10000 | 8.38 | 4.00 | 6.25 |

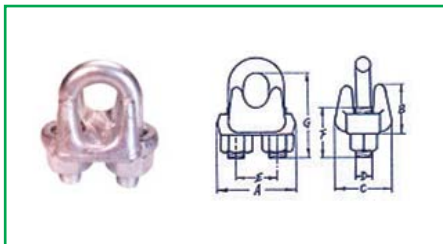
M.B.S. IS 5 TIMES OF W.L.L. MEET FEDERAL SPECIFICATION RR-C-271 D, TYPE VII, CLASS 1

WIRE ROPES ACCESSORIES



Wire Rope Thimble

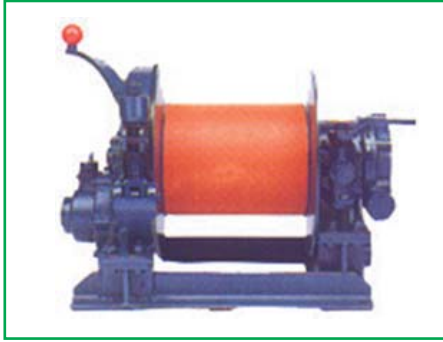
| Model No. | Nominal Dia of Rope | | Approx Circ | A | | B | | C*min | | D | | E | | F*min | | G | | K*min | | Q | |
|-------------|---------------------|----|-------------|-------|------|---------|------|--------|------|--------|------|--------|------|---------|------|--------|------|--------|------|---------|------|
| | ins | mm | | ins | ins | mm | ins | mm | ins | mm | ins | mm | ins | mm | ins | mm | ins | mm | ins | mm | ins |
| ALM 0069-1 | 5/16 | 8 | 1 | 7/8 | 22.2 | 1 1/2 | 38 | 1/2 | 12.7 | 1 5/16 | 33.4 | 2 1/8 | 52 | 5/16 | 7.9 | 5/32 | 4 | 5/32 | 4 | 1 3/16 | 30.1 |
| ALM 0069-2 | 3/8 | 9 | 1 1/4 | 1 | 25.4 | 1 7/8 | 47.6 | 9/16 | 14.3 | 1 1/2 | 38 | 2 1/2 | 64 | 13/32 | 10.3 | 1/4 | 6.3 | 3/16 | 4.8 | 1 3/8 | 35 |
| ALM 0069-3 | 7/16 | 11 | 1 1/2 | 1 1/8 | 28.6 | 2 1/8 | 52 | 11/16 | 17.5 | 1 1/2 | 41.3 | 2 7/8 | 73 | 1/2 | 12.7 | 5/16 | 7.9 | 3/16 | 4.8 | 1 1/2 | 38 |
| ALM 0069-4 | 1/2 | 13 | 1 5/8 | 1 1/4 | 31.7 | 2 5/16 | 58.8 | 13/16 | 20.6 | 1 3/4 | 44.5 | 3 1/8 | 79.4 | 9/16 | 14.3 | 5/16 | 7.9 | 7/32 | 5.5 | 1 11/16 | 42.9 |
| ALM 0069-5 | 9/16 | 14 | 1 3/4 | 1 1/4 | 31.7 | 2 5/16 | 58.8 | 13/16 | 20.6 | 1 3/4 | 44.5 | 3 1/8 | 79.4 | 9/16 | 14.3 | 5/16 | 7.9 | 7/32 | 5.5 | 1 11/16 | 42.9 |
| ALM 0069-6 | 5/8 | 16 | 2 | 1 5/8 | 41.3 | 2 15/16 | 74.5 | 7/8 | 22.2 | 2 5/16 | 58.8 | 3 7/8 | 95.8 | 5/8 | 15.9 | 11/32 | 8.7 | 5/16 | 7.9 | 2 1/4 | 56 |
| ALM 0069-7 | 11/16 | 17 | 2 1/4 | 1 3/4 | 44.5 | 3 1/8 | 79.4 | 1 1/8 | 28.6 | 2 5/8 | 66.6 | 4 1/4 | 108 | 3/4 | 19 | 3/8 | 9.5 | 5/16 | 7.9 | 2 3/8 | 60.4 |
| ALM 0069-8 | 3/4 | 19 | 2 3/8 | 2 | 50.8 | 3 5/8 | 92 | 1 1/8 | 28.6 | 2 7/8 | 73 | 4 7/8 | 124 | 13/16 | 20.6 | 7/16 | 11.1 | 3/8 | 9.5 | 2 3/4 | 69.8 |
| ALM 0069-9 | 13/16 | 21 | 2 1/2 | 2 | 50.8 | 3 5/8 | 92 | 1 1/8 | 28.6 | 2 7/8 | 73 | 4 7/8 | 121 | 13/16 | 20.6 | 7/16 | 11.1 | 3/8 | 9.5 | 3 | 76.2 |
| ALM 0069-10 | 7/8 | 22 | 2 3/4 | 2 1/4 | 56 | 4 | 102 | 1 1/4 | 31.7 | 3 1/4 | 82.5 | 4 1/4 | 133 | 7/8 | 22.2 | 1/2 | 12.7 | 3/8 | 9.5 | 3 | 76.2 |
| ALM 0069-11 | 15/16 | 24 | 3 | 2 1/2 | 64 | 5 11/16 | 110 | 1 5/16 | 33.4 | 3 5/8 | 92 | 5 3/4 | 146 | 1 | 25.4 | 1/2 | 12.7 | 13/32 | 10.3 | 3 5/16 | 84 |
| ALM 0069-12 | 1 | 25 | 3 1/4 | 2 3/4 | 69.8 | 4 11/16 | 119 | 1 3/8 | 35 | 4 1/4 | 108 | 6 3/8 | 162 | 1 1/16 | 27 | 9/16 | 14.3 | 13/32 | 10.3 | 3 9/16 | 90.5 |
| ALM 0069-13 | 1 1/8 | 29 | 3 1/2 | 3 | 76.2 | 5 1/4 | 133 | 1 1/8 | 38 | 4 3/8 | 112 | 7 | 178 | 1 1/8 | 28.6 | 5/8 | 15.9 | 1/2 | 12.7 | 4 | 102 |
| ALM 0069-14 | 1 1/4 | 32 | 4 | 3 3/4 | 95 | 6 | 152 | 1 5/8 | 41.3 | 5 1/4 | 133 | 7 3/4 | 197 | 1 5/16 | 33.4 | 5/8 | 15.9 | 1/2 | 12.7 | 4 3/4 | 121 |
| ALM 0069-15 | 1 3/8 | 35 | 4 1/2 | 4 1/8 | 105 | 6 7/8 | 175 | 1 7/8 | 47.6 | 6 | 152 | 9 | 228 | 1 1/2 | 38 | 3/4 | 19 | 5/8 | 15.9 | 5 3/8 | 137 |
| ALM 0069-16 | 1 1/2 | 38 | 5 | 4 1/2 | 114 | 7 3/4 | 197 | 2 1/8 | 52 | 6 1/2 | 165 | 10 | 254 | 1 5/8 | 41.3 | 15/16 | 23.8 | 11/16 | 17.5 | 5 7/8 | 149 |
| ALM 0069-17 | 1 5/8 | 41 | 5 1/4 | 4 1/2 | 114 | 7 3/4 | 197 | 2 3/16 | 58.6 | 6 1/2 | 165 | 10 | 254 | 1 11/16 | 42.9 | 15/16 | 23.8 | 11/16 | 17.5 | 5 7/8 | 149 |
| ALM 0069-18 | 1 3/4 | 44 | 5 1/2 | 5 | 127 | 9 | 28 | 2 1/4 | 56 | 7 | 178 | 11 1/4 | 286 | 2 | 50.8 | 1 | 25.4 | 1 | 25.4 | 7 | 178 |
| ALM 0069-19 | 1 7/8 | 48 | 6 | 5 1/4 | 133 | 9 3/4 | 248 | 2 5/8 | 66.6 | 7 1/2 | 190 | 12 1/2 | 317 | 2 3/8 | 60.4 | 1 1/8 | 28.6 | 1 1/8 | 28.6 | 7 1/2 | 190 |
| ALM 0069-20 | 2 | 51 | 6 1/4 | 5 1/2 | 140 | 10 1/8 | 257 | 2 3/4 | 69.8 | 8 | 203 | 13 | 330 | 2 1/8 | 64 | 1 3/16 | 30.1 | 1 1/8 | 28.6 | 7 3/4 | 197 |
| ALM 0069-21 | 2 1/8 | 54 | 6 1/2 | 5 1/2 | 140 | 10 1/8 | 257 | 2 3/4 | 69.8 | 8 | 203 | 13 | 330 | 2 1/2 | 64 | 1 3/16 | 30.1 | 1 1/8 | 28.6 | 7 3/4 | 197 |
| ALM 0069-22 | 2 1/4 | 57 | 7 | 5 3/4 | 146 | 10 5/8 | 296 | 3 | 76.2 | 8 1/2 | 216 | 14 | 356 | 2 5/8 | 66.6 | 1 1/4 | 31.7 | 1 3/16 | 30.1 | 8 1/3 | 206 |
| ALM 0069-23 | 2 1/2 | 64 | 8 | 6 1/4 | 159 | 12 1/4 | 311 | 3 3/4 | 95 | 9 1/2 | 242 | 16 1/4 | 414 | 2 3/4 | 69.8 | 1 3/4 | 44.5 | 1 1/4 | 31.7 | 8 3/4 | 222 |



Wire Rope Clips

| Model No. | SIZE | A | B | C | D | E | F | G | 100 Wt/pcs kg |
|-------------|------|------|----|------|----|----|----|-------|---------------|
| ALM 0070-1 | 6 | 22.5 | 14 | 17 | 5 | 12 | 14 | 24.8 | 2.1 |
| ALM 0070-2 | 8 | 28 | 17 | 21 | 6 | 15 | 16 | 30.66 | 3.7 |
| ALM 0070-3 | 10 | 38 | 21 | 28 | 8 | 19 | 20 | 37.95 | 8.5 |
| ALM 0070-4 | 12 | 45 | 27 | 34 | 10 | 24 | 25 | 47.55 | 16 |
| ALM 0070-5 | 15 | 52 | 32 | 40 | 12 | 29 | 30 | 57.15 | 25 |
| ALM 0070-6 | 20 | 62 | 38 | 46.5 | 14 | 36 | 36 | 71.73 | 43 |
| ALM 0070-7 | 22 | 69 | 43 | 51.5 | 16 | 40 | 39 | 78.73 | 60 |
| ALM 0070-8 | 25 | 76 | 50 | 56 | 18 | 43 | 44 | 90.4 | 82 |
| ALM 0070-9 | 28 | 85 | 57 | 62 | 20 | 48 | 48 | 96.9 | 112 |
| ALM 0070-10 | 32 | 93 | 61 | 67 | 22 | 55 | 51 | 110.4 | 150 |
| ALM 0070-11 | 40 | 111 | 73 | 81 | 24 | 64 | 62 | 122.5 | 254 |
| ALM 0070-12 | 45 | 123 | 86 | 88 | 27 | 72 | 70 | 139.5 | 343 |
| ALM 0070-13 | 50 | 135 | 95 | 95 | 30 | 80 | 88 | 156 | 456 |

WINCH



Air Winch

| Model No. | Type No. | Capacity KG | Wire Rope MM x M | Air Pressure | | Rope Speed | | Air Consumption | | Weight KG | Inlet Size MM | Hose Size MM |
|-------------------|----------|----------------|---------------------|--------------|-------|------------|--------|-----------------|------|--------------|------------------|-----------------|
| | | | | KG/CM2 | M/MIN | FT/MIN | M3/MIN | C.F.M. | | | | |
| <i>ALM 0071-1</i> | TAW-300 | 300 | 6 x 60 | 4 | 15 | 49 | 1.7 | 59.5 | 42.5 | 19 | 19 | |
| | | | | 5 | 20 | 66 | 2.7 | 94.5 | | | | |
| | | | | 6 | 27 | 89 | 3.4 | 119 | | | | |
| <i>ALM 0071-2</i> | TAW-500 | 500 | 8 x 100 | 4 | 12 | 39 | 1.7 | 59.5 | 70 | 19 | 19 | |
| | | | | 5 | 16 | 52 | 2.7 | 94.5 | | | | |
| | | | | 6 | 20 | 66 | 3.4 | 119 | | | | |
| <i>ALM 0071-3</i> | TAW-1000 | 1000 | 10 x 100 | 4 | 4.0 | 39 | 1.7 | 59.5 | 88 | 19 | 19 | |
| | | | | 5 | 5.2 | 52 | 2.7 | 94.5 | | | | |
| | | | | 6 | 6.7 | 66 | 3.4 | 119 | | | | |
| <i>ALM 0071-4</i> | TAW-1500 | 1500 | 12 x 80 | 4 | 3.0 | 10 | 1.7 | 59.5 | 88 | 19 | 19 | |
| | | | | 5 | 4.3 | 14 | 2.7 | 94.5 | | | | |
| | | | | 6 | 5.5 | 18 | 3.4 | 119 | | | | |
| <i>ALM 0071-5</i> | TAW-2000 | 2000 | 16 x 65 | 4 | 3.0 | 10 | 2.5 | 87.5 | 130 | 19 | 19 | |
| | | | | 5 | 4.0 | 13 | 3.2 | 115.5 | | | | |
| | | | | 6 | 5.0 | 16 | 4.2 | 147 | | | | |

Hose Size 19mm - 3/4



Electric Winch

| | Model | Capacity (Kg) | | Rope Speed (m/min) | | Max. Winding Rope | Motor | | Weight (Kg) |
|--------------------|--------------|---------------|------|--------------------|------|-------------------|-------------|------|-------------|
| | | 50 Hz | 60Hz | 50Hz | 60Hz | | Output (KW) | Pole | |
| <i>ALM 0072-1</i> | MA - 650S | 150 | 150 | 23 | 23 | Dia 5 x 40m | 0.65 | N.A. | 22 |
| <i>ALM 0072-2</i> | MA - 2 | 250 | 200 | 27 | 33 | Dia 6 x 120m | 1.5 | 4 | 70 |
| <i>ALM 0072-3</i> | MA - 3 | 400 | 400 | 30 | 36 | Dia 8 x 120m | 2.5 | 4 | 160 |
| <i>ALM 0072-4</i> | MA - 3 G 10 | 400 | 400 | 10 | 12 | Dia 8 x 120m | 0.87 | 4 | 160 |
| <i>ALM 0072-5</i> | MA - 3 G 15 | 400 | 400 | 15 | 18 | Dia 8 x 120m | 1.5 | 4 | 160 |
| <i>ALM 0072-6</i> | MA - 5 | 650 | 550 | 33 | 40 | Dia 10 x 150m | 3.9 | 4 | 230 |
| <i>ALM 0072-7</i> | MA - 5 G 116 | 50 | 550 | 11 | 13 | Dia 10 x 150m | 1.5 | 4 | 230 |
| <i>ALM 0072-8</i> | MA - 5 G 16 | 650 | 550 | 16 | 20 | Dia 10 x 150m | 2.5 | 4 | 230 |
| <i>ALM 0072-9</i> | MA - 7 | 1000 | 850 | 35 | 42 | Dia 12 x 150m | 6.1 | 4 | 350 |
| <i>ALM 0072-10</i> | MA - 7 G 11 | 1000 | 850 | 11 | 13 | Dia 12 x 150m | 2.5 | 4 | 350 |
| <i>ALM 0072-11</i> | MA - 7 G 17 | 1000 | 850 | 17 | 20 | Dia 12 x 150m | 3.9 | 4 | 35 |
| <i>ALM 0072-12</i> | MA - 10 | 1300 | 1000 | 37 | 44 | Dia 14 x 160m | 8.1 | 4 | 460 |
| <i>ALM 0072-13</i> | MA - 10 G 12 | 1100 | 900 | 12 | 14 | Dia 14 x 160m | 2.5 | 4 | 460 |
| <i>ALM 0072-14</i> | MA - 10 G 18 | 1300 | 1000 | 18 | 22 | Dia 14 x 160m | 3.9 | 4 | 460 |
| <i>ALM 0072-15</i> | MA - 20 | 1500 | 1500 | 40 | 48 | Dia 16 x 180m | 15.0 | 4 | 650 |
| <i>ALM 0072-16</i> | MA - 20 G 13 | 1500 | 1500 | 13 | 16 | Dia 16 x 180m | 3.9 | 4 | 600 |
| <i>ALM 0072-17</i> | MA - 20 G 20 | 1500 | 1500 | 20 | 24 | Dia 16 x 180m | 8.1 | 4 | 600 |
| <i>ALM 0072-18</i> | MA - 25 | 2000 | 1700 | 48 | 58 | Dia 16 x 220m | 18.5 | 4 | 650 |
| <i>ALM 0072-19</i> | MA - 25 G 10 | 2000 | 1650 | 10 | 12 | Dia 16 x 220m | 5.5 | 4 | 660 |
| <i>ALM 0072-20</i> | MA - 25 G 15 | 2000 | 1650 | 15 | 19 | Dia 16 x 220m | 7.5 | 4 | 660 |
| <i>ALM 0072-21</i> | MA - 35 | 2500 | 2000 | 50 | 60 | Dia 18 x 200m | 25.0 | 8 | 1350 |
| <i>ALM 0072-22</i> | MA - 35 H 42 | 2500 | 2500 | 42 | 50 | Dia 18 x 200m | 25.0 | 8 | 1350 |
| <i>ALM 0072-23</i> | MA - 40 | 3000 | 2500 | 50 | 60 | Dia 18 x 250m | 28.0 | 8 | 1650 |
| <i>ALM 0072-24</i> | MA - 40 H 42 | 3000 | 3000 | 42 | 50 | Dia 18 x 250m | 28.0 | 8 | 1650 |
| <i>ALM 0072-25</i> | MA - 40 G 25 | 3000 | 2500 | 25 | 30 | Dia 18 x 250m | 15.0 | 4 | 1600 |
| <i>ALM 0072-26</i> | MA - 50 | 4000 | 3300 | 52 | 63 | Dia 20 x 190m | 37.0 | 8 | 2150 |
| <i>ALM 0072-27</i> | MA - 50 H 44 | 4000 | 4000 | 44 | 52 | Dia 20 x 190m | 37.0 | 8 | 2150 |
| <i>ALM 0072-28</i> | MA - 50 G 26 | 4000 | 3300 | 26 | 31 | Dia 20 x 190m | 18.5 | 4 | 2100 |
| <i>ALM 0072-29</i> | MA - 75 | 5300 | 5300 | 50 | 60 | Dia 22.4 x 250m | 47/55 | 8 | 2590 |

PALLET TRUCK, TROLLEY & CASTORS Light Duty Castors

Made of high-quality nylon colour natural white, high abrasion resistance, low rolling resistance, smooth running performance on even floors, shock and impact-resistant, corrosion-resistant, high chemical resistance to alcohol, salts, greases and certain acids and lyes in diluted concentration, plain, roller or ball bearing.

ALM 0073



Swivel castors

ALM 0074



Fixed castors

ALM 0075



Swivel castors with "stop-fix" brake



| Model No. | Ref. No. | Ref. No. | Ref. No. | Wheel Ø | Wheel width | Load capacity | Bearing version | Total height | Plate size | Bolt hole spacing | Bolt hole Ø | Offset swvl castor |
|-----------|------------|------------|---------------|---------|-------------|---------------|-----------------|--------------|------------|-------------------|-------------|--------------------|
| | | | | [mm] | [mm] | | | [mm] | [mm] | [mm] | [mm] | [mm] |
| 1 | LE-PO 60G | | | 60 | 29 | 150 | Plain bearing | 80 | 100 x 85 | 80 x 60 | 9 | 35 |
| 2 | LE-PO 75G | B-PO 75G | LE-PO 75G-FI | 75 | 32 | 150 | Plain bearing | 100 | 100 x 85 | 80 x 60 | 9 | 38 |
| 3 | LE-PO 75G | B-PO 75R | LE-PO 75R-FI | 75 | 32 | 150 | Roller bearing | 100 | 100 x 85 | 80 x 60 | 9 | 38 |
| 4 | LE-PO 75R | B-PO 80G | LE-PO 80G-FI | 80 | 33 | 150 | Plain bearing | 102 | 100 x 85 | 80 x 60 | 9 | 38 |
| 5 | LE-PO 80G | B-PO 80R | LE-PO 80R-FI | 80 | 33 | 150 | Roller bearing | 102 | 100 x 85 | 80 x 60 | 9 | 38 |
| 6 | LE-PO 80R | BE-PO 100G | LE-PO 100G-FI | 100 | 37 | 150 | Plain bearing | 125 | 100 x 85 | 80 x 60 | 9 | 36 |
| 7 | LE-PO 100G | BE-PO 100R | LE-PO 100R-FI | 100 | 37 | 150 | Roller bearing | 125 | 100 x 85 | 80 x 60 | 9 | 36 |
| 8 | LE-PO 100R | BE-PO 100K | LE-PO 100K-FI | 100 | 37 | 150 | Ball bearing | 125 | 100 x 85 | 80 x 60 | 9 | 36 |
| 9 | LE-PO 100K | BE-PO 125G | LE-PO 125G-FI | 125 | 40 | 150 | Plain bearing | 150 | 100 x 85 | 80 x 60 | 9 | 40 |
| 10 | LE-PO 125G | BE-PO 125R | LE-PO 125R-FI | 125 | 40 | 150 | Roller bearing | 150 | 100 x 85 | 80 x 60 | 9 | 40 |
| 11 | LE-PO 125R | BE-PO 125K | LE-PO 125K-FI | 125 | 40 | 150 | Ball bearing | 150 | 100 x 85 | 80 x 60 | 9 | 40 |
| 12 | LE-PO 125K | B-PO 150G | LE-PO 150G-FI | 150 | 50 | 300 | Plain bearing | 190 | 140 x 110 | 105 x 75-80 | 11 | 54 |
| 13 | LE-PO 150G | B-PO 150R | LE-PO 150R-FI | 150 | 50 | 300 | Roller bearing | 190 | 140 x 110 | 105 x 75-80 | 11 | 54 |
| 14 | LE-PO 150R | B-PO 160G | LE-PO 160G-FI | 160 | 50 | 300 | Plain bearing | 195 | 140 x 110 | 105 x 75-80 | 11 | 54 |
| 15 | LE-PO 160G | B-PO 160R | LE-PO 160R-FI | 160 | 50 | 300 | Roller bearing | 195 | 140 x 110 | 105 x 75-80 | 11 | 54 |
| 16 | LE-PO 160R | B-PO 175G | LE-PO 175G-FI | 175 | 50 | 300 | Plain bearing | 213 | 140 x 110 | 105 x 75-80 | 11 | 54 |
| 17 | LE-PO 175G | B-PO 175R | LE-PO 175R-FI | 175 | 50 | 300 | Roller bearing | 213 | 140 x 110 | 105 x 75-80 | 11 | 54 |
| 18 | LE-PO 175R | B-PO 200G | LE-PO 200G-FI | 200 | 50 | 300 | Plain bearing | 235 | 140 x 110 | 105 x 75-80 | 11 | 54 |
| 19 | LE-PO 200G | B-PO 200R | LE-PO 200R-FI | 200 | 50 | 300 | Roller bearing | 235 | 140 x 110 | 105 x 75-80 | 11 | 54 |

Tyres: Elastic solid rubber, smooth rolling quality, colour black, 65° shore A, vulcanised, non-detachable connection, low rolling resistance.

Wheel centres: Made of high-quality nylon, colour black, shock and impact-resistant, corrosion-resistant, plain, roller or ball bearing.

ALM 0076



Swivel castors

ALM 0077



Fixed castors

ALM 0078



Swivel castors with "stop-fix" brake



| Model No. | Ref. No. | Ref. No. | Ref. No. | Wheel Ø | Wheel width | Load capacity | Bearing version | Total height | Plate size | Bolt hole spacing | Bolt hole Ø | Offset swvl castor |
|-----------|--------------|--------------|-----------------|---------|-------------|---------------|-----------------|--------------|------------|-------------------|-------------|--------------------|
| | | | | [mm] | [mm] | | | [mm] | [mm] | [mm] | [mm] | [mm] |
| 1 | LE-POEV 80R | B-POEV 80R | LE-POEV 80R-FI | 80 | 32 | 120 | Roller bearing | 102 | 100 x 85 | 80 x 60 | 9 | 38 |
| 2 | LE-POEV 100G | BE-POEV 100G | LE-POEV 100G-FI | 100 | 38 | 150 | Plain bearing | 125 | 100 x 85 | 80 x 60 | 9 | 36 |
| 3 | LE-POEV 100R | BE-POEV 100R | LE-POEV 100R-FI | 100 | 38 | 150 | Roller bearing | 125 | 100 x 85 | 80 x 60 | 9 | 36 |
| 4 | LE-POEV 100K | BE-POEV 100K | LE-POEV 100K-FI | 100 | 38 | 150 | Ball bearing | 125 | 100 x 85 | 80 x 60 | 9 | 36 |
| 5 | LE-POEV 125R | BE-POEV 125R | LE-POEV 125R-FI | 125 | 40 | 150 | Roller bearing | 150 | 100 x 85 | 80 x 60 | 9 | 40 |
| 6 | LE-POEV 125K | BE-POEV 125K | LE-POEV 125K-FI | 125 | 40 | 150 | Ball bearing | 150 | 100 x 85 | 80 x 60 | 9 | 40 |
| 7 | LE-POEV 160R | B-POEV 160R | LE-POEV 160R-FI | 160 | 50 | 300 | Roller bearing | 195 | 140 x 110 | 105 x 75-80 | 11 | 54 |
| 8 | LE-POEV 160K | B-POEV 160K | LE-POEV 160K-FI | 160 | 50 | 300 | Ball bearing | 195 | 140 x 110 | 105 x 75-80 | 11 | 54 |
| 9 | LE-POEV 200R | B-POEV 200R | LE-POEV 200R-FI | 200 | 50 | 300 | Roller bearing | 235 | 140 x 110 | 105 x 75-80 | 11 | 54 |
| 10 | LE-POEV 200K | B-POEV 200K | LE-POEV 200K-FI | 200 | 50 | 300 | Ball bearing | 235 | 140 x 110 | 105 x 75-80 | 11 | 54 |

PALLET TRUCK, TROLLEY & CASTORS

Light Duty Castors

Treads: Made of injection-moulded polyurethane, colour grey, non-marking, 98° shore A, abrasion-resistant, non-staining, floor-saving, low-noise operation, low rolling resistance, excellent positive and non-positive connection with the wheel centre.

Wheel centres: Made of high-quality nylon, colour light grey, shock and impact-resistant, corrosion-resistant, plain, roller or ball bearing.

ALM 0079

ALM 0080

ALM 0081



Swivel castors



Fixed castors



Swivel castors with "stop-fix" brake



| Model No. | Ref. No. | Ref. No. | Ref. No. | Wheel Ø | Wheel width | Load capacity | Bearing version | Total height | Plate size | Bolt hole spacing | Bolt hole Ø | Offset swvl castor |
|-----------|-------------|-------------|----------------|---------|-------------|---------------|-----------------|--------------|------------|-------------------|-------------|--------------------|
| | | | | [mm] | [mm] | | | [mm] | [mm] | [mm] | [mm] | [mm] |
| 1 | LE-PTH 80G | B-PTH 80G | LE-PTH 80G-FI | 80 | 30 | 125 | Plain bearing | 102 | 100 x 85 | 80 x 60 | 9 | 38 |
| 2 | LE-PTH 80R | B-PTH 80R | LE-PTH 80R-FI | 80 | 30 | 125 | Roller bearing | 102 | 100 x 85 | 80 x 60 | 9 | 38 |
| 3 | LE-PTH 100G | BE-PTH 100G | LE-PTH 100G-FI | 100 | 30 | 150 | Plain bearing | 125 | 100 x 85 | 80 x 60 | 9 | 36 |
| 4 | LE-PTH 100R | BE-PTH 100R | LE-PTH 100R-FI | 100 | 30 | 150 | Roller bearing | 125 | 100 x 85 | 80 x 60 | 9 | 36 |
| 5 | LE-PTH 100K | BE-PTH 100K | LE-PTH 100K-FI | 100 | 30 | 150 | Ball bearing | 125 | 100 x 85 | 80 x 60 | 9 | 36 |
| 6 | LE-PTH 125G | BE-PTH 125G | LE-PTH 125G-FI | 125 | 30 | 150 | Plain bearing | 150 | 100 x 85 | 80 x 60 | 9 | 40 |
| 7 | LE-PTH 125R | BE-PTH 125R | LE-PTH 125R-FI | 125 | 30 | 150 | Roller bearing | 150 | 100 x 85 | 80 x 60 | 9 | 40 |
| 8 | LE-PTH 125K | BE-PTH 125K | LE-PTH 125K-FI | 125 | 30 | 150 | Ball bearing | 150 | 100 x 85 | 80 x 60 | 9 | 40 |
| 9 | LE-PTH 160G | B-PTH 160G | LE-PTH 160G-FI | 160 | 40 | 300 | Plain bearing | 195 | 140 x 110 | 105 x 75-80 | 11 | 54 |
| 10 | LE-PTH 160R | B-PTH 160R | LE-PTH 160R-FI | 160 | 40 | 300 | Roller bearing | 195 | 140 x 110 | 105 x 75-80 | 11 | 54 |
| 11 | LE-PTH 160K | B-PTH 160K | LE-PTH 160K-FI | 160 | 40 | 300 | Ball bearing | 195 | 140 x 110 | 105 x 75-80 | 11 | 54 |
| 12 | LE-PTH 200G | B-PTH 200G | LE-PTH 200G-FI | 200 | 50 | 300 | Plain bearing | 235 | 140 x 110 | 105 x 75-80 | 11 | 54 |
| 13 | LE-PTH 200R | B-PTH 200R | LE-PTH 200R-FI | 200 | 50 | 300 | Roller bearing | 235 | 140 x 110 | 105 x 75-80 | 11 | 54 |
| 14 | LE-PTH 200K | B-PTH 200K | LE-PTH 200K-FI | 200 | 50 | 300 | Ball bearing | 235 | 140 x 110 | 105 x 75-80 | 11 | 54 |

Heavy Duty Castors

Tyres: Elastic solid rubber, smooth rolling quality, colour black, 65° shore A, vulcanised, non-detachable connection, low rolling resistance.

Wheel centres: Made of aluminium die-cast, corrosion-resistant, ball bearing, colour aluminium.

ALM 0082

ALM 0083

ALM 0084



Swivel castors



Fixed castors



Swivel castors with "stop-fix" brake



| Model No. | Ref. No. | Ref. No. | Ref. No. | Wheel Ø | Wheel width | Load capacity | Bearing version | Total height | Plate size | Bolt hole spacing | Bolt hole Ø | Offset swvl castor |
|-----------|----------------|----------------|-------------------|---------|-------------|---------------|-----------------|--------------|------------|-------------------|-------------|--------------------|
| | | | | [mm] | [mm] | | | [mm] | [mm] | [mm] | [mm] | [mm] |
| 1 | LK-ALEV 100K-1 | BK-ALEV 100K-1 | LK-ALEV 100K-1-FI | 100 | 40 | 180 | Ball bearing | 130 | 100 x 85 | 80 x 60 | 9 | 45 |
| 2 | LK-ALEV 100K-3 | BK-ALEV 100K-3 | LK-ALEV 100K-3-FI | 100 | 40 | 180 | Ball bearing | 130 | 140 x 110 | 105 x 75-80 | 11 | 45 |
| 3 | LK-ALEV 125K-1 | BK-ALEV 125K-1 | LK-ALEV 125K-1-FI | 125 | 40 | 250 | Ball bearing | 155 | 100 x 85 | 80 x 60 | 9 | 48 |
| 4 | LK-ALEV 125K-3 | BK-ALEV 125K-3 | LK-ALEV 125K-3-FI | 125 | 40 | 250 | Ball bearing | 155 | 140 x 110 | 105 x 75-80 | 11 | 48 |
| 5 | LK-ALEV 127K | BH-ALEV 127K | LK-ALEV 127K-FI | 125 | 50 | 270 | Ball bearing | 170 | 140 x 110 | 105 x 75-80 | 11 | 55 |
| 6 | LK-ALEV 150K | BH-ALEV 150K | LK-ALEV 150K-FI | 150 | 54 | 350 | Ball bearing | 197 | 140 x 110 | 105 x 75-80 | 11 | 63 |
| 7 | LK-ALEV 160K | BH-ALEV 160K | LK-ALEV 160K-FI | 160 | 50 | 350 | Ball bearing | 202 | 140 x 110 | 105 x 75-80 | 11 | 63 |
| 8 | LK-ALEV 180K | BH-ALEV 180K | LK-ALEV 180K-FI | 180 | 50 | 400 | Ball bearing | 223 | 140 x 110 | 105 x 75-80 | 11 | 65 |
| 9 | LK-ALEV 200K | BH-ALEV 200K | LK-ALEV 200K-FI | 200 | 50 | 450 | Ball bearing | 245 | 140 x 110 | 105 x 75-80 | 11 | 65 |

PALLET TRUCK, TROLLEY & CASTORS

Heavy Duty Castors

Treads: Made of polyurethane, firmly bonded, colour green, non-marking, very high operational comfort because of particularly thick, elastic tread, 75° shore A, abrasion-resistant, high cut and tear propagation resistance, non-staining, floor-saving, low-noise operation, low rolling resistance, very good chemical connection with the wheel centre.

Wheel centres: Made of aluminium die-cast, corrosion-resistant, ball bearing, colour aluminium.



| Model No. | Ref. No. | Ref. No. | Ref. No. | Wheel Ø | Wheel width | Load capacity | Bearing version | Total height | Plate size | Bolt hole spacing | Bolt hole Ø | Offset swvl castor |
|-----------|---------------|--------------|----------------|---------|-------------|---------------|-----------------|--------------|------------|-------------------|-------------|--------------------|
| | | | | [mm] | [mm] | | | [mm] | [mm] | [mm] | [mm] | [mm] |
| 1 | L-ALST 100K | B-ALST 100K | L-ALST 100K-FI | 100 | 40 | 200 | Ball bearing | 125 | 100 x 85 | 80 x 60 | 9 | 36 |
| 2 | L-ALST 125K | B-ALST 125K | L-ALST 125K-FI | 125 | 40 | 200 | Ball bearing | 150 | 100 x 85 | 80 x 60 | 9 | 40 |
| 3 | L-ALST 160K | B-ALST 160K | L-ALST 160K-FI | 160 | 50 | 400 | Ball bearing | 195 | 140 x 110 | 105 x 75-80 | 11 | 60 |
| 4 | L-ALST 200K | B-ALST 200K | L-ALST 200K-FI | 200 | 50 | 400 | Ball bearing | 235 | 140 x 110 | 105 x 75-80 | 11 | 65 |
| 5 | L-ALST 250K-3 | BH-ALST 250K | * | 250 | 50 | 600 | Ball bearing | 295 | 140 x 110 | 105 x 75-80 | 11 | 77 |

Made of high-quality nylon, very rugged, colour natural white, high abrasion resistance, low rolling resistance, smooth running performance on even floors, shock and impact-resistant, corrosion-resistant, high chemical resistance to alcohol, salts, greases and certain acids and lyes in diluted concentration, plain or ball bearing.



| Model No. | Ref. No. | Ref. No. | Ref. No. | Wheel Ø | Wheel width | Load capacity | Bearing version | Total height | Plate size | Bolt hole spacing | Bolt hole Ø | Offset swvl castor |
|-----------|---------------|---------------|------------------|---------|-------------|---------------|-----------------|--------------|------------|-------------------|-------------|--------------------|
| | | | | [mm] | [mm] | | | [mm] | [mm] | [mm] | [mm] | [mm] |
| 1 | LK-SPO 75G | BK-SPO 75G | * | 75 | 32 | 250 | Plain bearing | 108 | 100 x 85 | 80 x 60 | 9 | 40 |
| 2 | LK-SPO 75K | BK-SPO 75K | * | 75 | 32 | 250 | Ball bearing | 108 | 100 x 85 | 80 x 60 | 9 | 40 |
| 3 | LK-SPO 100G-1 | BK-SPO 100G-1 | LK-SPO 100G-1-FI | 100 | 37 | 250 | Plain bearing | 130 | 100 x 85 | 80 x 60 | 9 | 45 |
| 4 | LK-SPO 100K-1 | BK-SPO 100K-1 | LK-SPO 100K-1-FI | 100 | 37 | 250 | Ball bearing | 130 | 100 x 85 | 80 x 60 | 9 | 45 |
| 5 | LK-SPO 100G-3 | BK-SPO 100G-3 | LK-SPO 100G-3-FI | 100 | 37 | 250 | Plain bearing | 130 | 140 x 110 | 105 x 75-80 | 11 | 45 |
| 6 | LK-SPO 100K-3 | BK-SPO 100K-3 | LK-SPO 100K-3-FI | 100 | 37 | 250 | Ball bearing | 130 | 140 x 110 | 105 x 75-80 | 11 | 45 |
| 7 | LK-SPO 125G-1 | BK-SPO 125G-1 | LK-SPO 125G-1-FI | 125 | 40 | 250 | Plain bearing | 155 | 100 x 85 | 80 x 60 | 9 | 48 |
| 8 | LK-SPO 125K-1 | BK-SPO 125K-1 | LK-SPO 125K-1-FI | 125 | 40 | 250 | Ball bearing | 155 | 100 x 85 | 80 x 60 | 9 | 48 |
| 9 | LK-SPO 125G-3 | BK-SPO 125G-3 | LK-SPO 125G-3-FI | 125 | 40 | 250 | Plain bearing | 155 | 140 x 110 | 105 x 75-80 | 11 | 48 |
| 10 | LK-SPO 125K-3 | BK-SPO 125K-3 | LK-SPO 125K-3-FI | 125 | 40 | 250 | Ball bearing | 155 | 140 x 110 | 105 x 75-80 | 11 | 48 |
| 11 | LK-SPO 127G | BH-SPO 127G | LK-SPO 127G-FI | 125 | 50 | 600 | Plain bearing | 170 | 140 x 110 | 105 x 75-80 | 11 | 55 |
| 12 | LK-SPO 127K | BH-SPO 127K | LK-SPO 127K-FI | 125 | 50 | 600 | Ball bearing | 170 | 140 x 110 | 105 x 75-80 | 11 | 55 |
| 13 | LK-SPO 150G | BH-SPO 150G | LK-SPO 150G-FI | 150 | 50 | 600 | Plain bearing | 197 | 140 x 110 | 105 x 75-80 | 11 | 63 |
| 14 | LK-SPO 150K | BH-SPO 150K | LK-SPO 150K-FI | 150 | 50 | 600 | Ball bearing | 197 | 140 x 110 | 105 x 75-80 | 11 | 63 |
| 15 | LK-SPO 175G | BH-SPO 175G | LK-SPO 175G-FI | 175 | 50 | 600 | Plain bearing | 220 | 140 x 110 | 105 x 75-80 | 11 | 65 |
| 16 | LK-SPO 175K | BH-SPO 175K | LK-SPO 175K-FI | 175 | 50 | 600 | Ball bearing | 220 | 140 x 110 | 105 x 75-80 | 11 | 65 |
| 17 | LK-SPO 201G | BH-SPO 201G | LK-SPO 201G-FI | 200 | 50 | 600 | Plain bearing | 245 | 140 x 110 | 105 x 75-80 | 11 | 65 |
| 18 | LK-SPO 201K | BH-SPO 201K | LK-SPO 201K-FI | 200 | 50 | 600 | Ball bearing | 245 | 140 x 110 | 105 x 75-80 | 11 | 65 |
| 19 | LK-SPO 200G** | BH-SPO 200G** | LK-SPO 200G-FI** | 200 | 50 | 600 | Plain bearing | 245 | 140 x 110 | 105 x 75-80 | 11 | 65 |
| 20 | LK-SPO 200K** | BH-SPO 200K** | LK-SPO 200K-FI** | 200 | 50 | 600 | Ball bearing | 245 | 140 x 110 | 105 x 75-80 | 11 | 65 |

SLINGS Round Slings



| Model No. | Type | WLL (tonnes) | L1 min (m) | Weight per meter L1 (kg) approx | Rec. Min contact dia. bolt (mm) | Rec. Min contact width (mm) | Colour |
|-----------|------|-----------------|---------------|------------------------------------|------------------------------------|--------------------------------|--------------|
| 1 | GRS | 1T | 0.5 | 0.34 | 23 | 35 | Purple |
| 2 | GRS | 2T | 0.5 | 0.40 | 32 | 40 | Green |
| 3 | GRS | 3T | 0.5 | 0.62 | 35 | 47 | Yellow |
| 4 | GRS | 4T | 1.0 | 0.80 | 38 | 50 | Grey |
| 5 | GRS | 5T | 1.5 | 1.00 | 42 | 53 | Red |
| 6 | GRS | 6T | 1.5 | 1.15 | 46 | 60 | Dark Red |
| 7 | GRS | 8T | 1.5 | 1.52 | 50 | 67 | Blue |
| 8 | GRS | 10T | 1.5 | 1.94 | 56 | 75 | Orange |
| 9 | GRS | 12T | 1.5 | 2.44 | 58 | 80 | Light Orange |

Round Slings

- Made of 100% polyester
- L1 = effective length.
- Sizes 1-3T 0.5 - 6 M, 5T 1 -5 M and 8T 2 - 6 M



| Model No. | Type | WLL (tonnes) | Width (mm) | L1 min (m) | With of eye (mm) | Weight per meter L1 (Kg) approx | Colour |
|-----------|------|-----------------|---------------|---------------|---------------------|------------------------------------|--------------|
| 1 | GWS | 1T | 30 | 0.40 | 30 | 0.170 | Purple |
| 2 | GWS | 2T | 60 | 0.65 | 35 | 0.360 | Green |
| 3 | GWS | 3T | 90 | 0.90 | 45 | 0.560 | Yellow |
| 4 | GWS | 4T | 120 | 1.30 | 65 | 0.740 | Grey |
| 5 | GWS | 5T | 150 | 1.50 | 80 | 0.930 | Red |
| 6 | GWS | 6T | 180 | 1.60 | 95 | 1.120 | Dark Red |
| 7 | GWS | 8T | 240 | 1.85 | 125 | 1.650 | Blue |
| 8 | GWS | 10T | 180 | 1.60 | 180 | 2.200 | Orange |
| 9 | GWS | 12T | 180 | 1.60 | 180 | 2.200 | Light Orange |
| 10 | GWS | 15T | 240 | 1.85 | 240 | 3.260 | Light Orange |

Webbing Slings

- Made of 100% polyester
- L1 = effective length
- Sizes are available up to 10m in length

ROPES



| Model No. | Diameter | Length |
|------------|----------|-----------|
| ALM 0093-1 | 6mm | x 110 MTR |
| ALM 0093-2 | | x 200 MTR |
| ALM 0093-3 | | x 300 MTR |
| ALM 0093-4 | 8mm | x 110 MTR |
| ALM 0093-5 | | x 200 MTR |
| ALM 0093-6 | | x 300 MTR |
| ALM 0093-7 | 10mm | x 110 MTR |
| ALM 0093-8 | | x 200 MTR |
| ALM 0093-9 | | x 300 MTR |

Cotton Ropes

ROPES



Manila Ropes

Strongest natural fiber rope made from the finest abaca fiber available. A highly abrasion resistant, low stretch rope with good knot holding characteristics. In order to maintain strength, must be stored in a dry, cool area

Available in 1/4" through 2" diameter in 600' coils. Selected sizes are available on reels and in mini coils.

| Model No. | Diameter | | WT(KG) 200 M | WT (KG) 220 M | LBS Tensile Strength |
|-------------|----------|--------------|-----------------|------------------|-------------------------|
| | MM | Circ (IN) | | | |
| ALM 0094-1 | 4 | 1/2 | 2.35 | 2.6 | - |
| ALM 0094-2 | 5 | 5/8 | 3.83 | 4.21 | 406 |
| ALM 0094-3 | 6 | 3/4 | 5.3 | 5.5 | 540 |
| ALM 0094-4 | 8 | 1 | 9.4 | 8.5 | 900 |
| ALM 0094-5 | 9 | 1.1/8 | 11.9 | 13 | 1215 |
| ALM 0094-6 | 10 | 1.1/4 | 14.7 | 16 | 1575 |
| ALM 0094-7 | 12 | 1.1/2 | 21 | 23 | 2385 |
| ALM 0094-8 | 14 | 1.3/4 | 28.8 | 32 | 3105 |
| ALM 0094-9 | 16 | 2 | 38 | 40 | 3960 |
| ALM 0094-10 | 18 | 2.1/4 | 40 | 48 | 4860 |
| ALM 0094-11 | 20 | 2.1/2 | 48 | 56 | 5850 |
| ALM 0094-12 | 22 | 2.3/4 | 71 | 78 | 6930 |
| ALM 0094-13 | 24 | 3 | 85 | 93 | 8100 |
| ALM 0094-14 | 26 | 3.1/4 | 99 | 109 | 9450 |
| ALM 0094-15 | 28 | 3.1/2 | 115 | 126 | 10800 |
| ALM 0094-16 | 30 | 3.3/4 | 132 | 145 | 12150 |
| ALM 0094-17 | 32 | 4 | 140/143 | 157 | 13500 |
| ALM 0094-18 | 36 | 4.1/2 | 183 | 201 | 16650 |
| ALM 0094-19 | 40 | 5 | 226 | 240 | 20250 |
| ALM 0094-20 | 44 | 5.1/2 | 285 | 297 | 23850 |
| ALM 0094-21 | 48 | 6 | 314 | 345 | 27900 |



Nylon Ropes

Nylon rope exceeds twice the strength of Manila rope. It has high elongation (underload) when compared to other synthetic ropes. Nylon has high energy absorption under shock and good abrasion resistance. When combined, these characteristics makes nylon rope the best in handling compared to other synthetics. It is utilized extensively in marine use such as mooring lines, towing slings, commercial fishing, utility rope, leisure boat, sailing, etc.

| Model No. | Diameter | | CIR INCH | WT | | | B/S | |
|-------------|----------|---------|-------------|----------|-----------|-----------|-------|--------|
| | MM | INCH | | KGS/100M | LBS/100FT | LBS/100FM | Kg | kN |
| ALM 0095-1 | 4 | 5/32 | 1/2 | 1.05 | 0.71 | 4.23 | 360 | 3.53 |
| ALM 0095-2 | 5 | 3/16 | 5/8 | 1.56 | 1.05 | 6.29 | 570 | 5.60 |
| ALM 0095-3 | 6 | 1/4 | 3/4 | 2.25 | 1.51 | 9.07 | 760 | 7.46 |
| ALM 0095-4 | 7 | 9/32 | 7/8 | 3.10 | 2.08 | 12.50 | 1050 | 10.30 |
| ALM 0095-5 | 8 | 5/16 | 1 | 4.00 | 2.69 | 16.13 | 1390 | 13.65 |
| ALM 0095-6 | 9 | 3/8 | 1-1/8 | 5.00 | 3.36 | 20.16 | 1750 | 17.20 |
| ALM 0095-7 | 10 | 13/32 | 1-1/4 | 6.20 | 4.17 | 25.00 | 2130 | 20.90 |
| ALM 0095-8 | 11 | 7/16 | 1-3/8 | 7.50 | 5.04 | 30.24 | 2600 | 25.50 |
| ALM 0095-9 | 12 | 15/32 | 1-1/2 | 8.90 | 5.98 | 35.88 | 3040 | 29.80 |
| ALM 0095-10 | 13 | 1/2 | 1-5/8 | 10.50 | 7.06 | 42.33 | 3570 | 35.00 |
| ALM 0095-11 | 14 | 9/16 | 1-3/4 | 12.20 | 8.20 | 49.19 | 4180 | 41.00 |
| ALM 0095-12 | 16 | 5/8 | 2 | 15.80 | 10.62 | 63.70 | 5380 | 52.80 |
| ALM 0095-13 | 18 | 23/32 | 2-1/4 | 20.00 | 13.44 | 80.64 | 6880 | 67.50 |
| ALM 0095-14 | 19 | 3/4 | 2-3/8 | 22.10 | 14.85 | 89.10 | 7650 | 75.10 |
| ALM 0095-15 | 20 | 13/16 | 2-1/2 | 24.50 | 16.46 | 98.78 | 8450 | 82.90 |
| ALM 0095-16 | 22 | 7/8 | 2-3/4 | 30.00 | 20.16 | 120.96 | 10400 | 102.00 |
| ALM 0095-17 | 24 | 15/16 | 3 | 35.50 | 23.86 | 143.13 | 12300 | 120.70 |
| ALM 0095-18 | 25 | 1 | 3-1/8 | 38.80 | 26.07 | 156.44 | 13400 | 131.50 |
| ALM 0095-19 | 26 | 1-1/32 | 3-1/4 | 42.00 | 28.22 | 169.34 | 4500 | 142.20 |
| ALM 0095-20 | 28 | 1-1/8 | 3-1/2 | 48.50 | 32.59 | 195.54 | 16200 | 159.00 |
| ALM 0095-21 | 30 | 1-3/16 | 3-3/4 | 55.50 | 37.29 | 223.77 | 18300 | 179.50 |
| ALM 0095-22 | 32 | 1-1/4 | 4 | 63.00 | 42.33 | 254.01 | 20600 | 202.00 |
| ALM 0095-23 | 34 | 1-11/32 | 4-1/4 | 71.40 | 47.98 | 287.87 | 23200 | 227.50 |
| ALM 0095-24 | 36 | 1-7/16 | 4-1/2 | 80.00 | 53.76 | 322.55 | 25700 | 252.10 |
| ALM 0095-25 | 38 | 1-1/2 | 4-3/4 | 89.30 | 60.01 | 360.04 | 28200 | 276.60 |

ROPES



Polyethylene Ropes

Polyethylene rope (Tiger Rope) has positive buoyancy (floats) but is slightly heavier than polypropylene. Tensile strength remains the same dry or wet. Commonly used in commercial fishing and industrial applications.

| Model No. | Diameter | | CIR | WT | | | B/S | |
|-------------|----------|---------|-------|------|----------|-----------|-----------|-------|
| | MM | INCH | | INCH | KGS/100M | LBS/100FT | LBS/100FM | Kg |
| ALM 0096-1 | 4 | 5/32 | 1/2 | 0.81 | 0.54 | 3.27 | 200 | 1.96 |
| ALM 0096-2 | 5 | 3/16 | 5/8 | 1.26 | 0.85 | 5.08 | 280 | 2.72 |
| ALM 0096-3 | 6 | 1/4 | 3/4 | 1.82 | 1.22 | 7.34 | 400 | 3.92 |
| ALM 0096-4 | 7 | 9/32 | 7/8 | 2.50 | 1.68 | 10.08 | 540 | 5.25 |
| ALM 0096-5 | 8 | 5/16 | 1 | 3.27 | 2.20 | 13.18 | 700 | 6.86 |
| ALM 0096-6 | 9 | 3/8 | 1-1/8 | 3.97 | 2.67 | 16.01 | 900 | 8.83 |
| ALM 0096-7 | 10 | 13/32 | 1-1/4 | 4.90 | 3.29 | 19.76 | 1100 | 10.7 |
| ALM 0096-8 | 11 | 7/16 | 1-3/8 | 6.10 | 4.10 | 24.59 | 1300 | 12.7 |
| ALM 0096-9 | 12 | 15/32 | 1-1/2 | 7.20 | 4.84 | 29.03 | 1500 | 15.1 |
| ALM 0096-10 | 13 | 1/2 | 1-5/8 | 8.20 | 5.51 | 33.06 | 1800 | 17.7 |
| ALM 0096-11 | 14 | 9/16 | 1-3/4 | 9.50 | 6.38 | 38.30 | 2100 | 20.5 |
| ALM 0096-12 | 16 | 5/8 | 2 | 12.8 | 8.60 | 51.61 | 2800 | 27.5 |
| ALM 0096-13 | 18 | 23/32 | 2-1/4 | 16.1 | 10.82 | 64.91 | 3500 | 34.0 |
| ALM 0096-14 | 19 | 3/4 | 2-3/8 | 18.1 | 12.16 | 72.98 | 3880 | 37.8 |
| ALM 0096-15 | 20 | 13/16 | 2-1/2 | 20.0 | 13.44 | 80.64 | 4300 | 41.9 |
| ALM 0096-16 | 22 | 7/8 | 2-3/4 | 24.3 | 16.33 | 97.97 | 5100 | 49.8 |
| ALM 0096-17 | 24 | 15/16 | 3 | 29.5 | 19.82 | 118.94 | 6100 | 59.8 |
| ALM 0096-18 | 25 | 1 | 3-1/8 | 30.3 | 20.36 | 122.16 | 6400 | 62.8 |
| ALM 0096-19 | 26 | 1-1/32 | 3-1/4 | 32.8 | 22.04 | 132.24 | 6900 | 68.0 |
| ALM 0096-20 | 28 | 1-1/8 | 3-1/2 | 39.3 | 26.41 | 158.45 | 8200 | 80.5 |
| ALM 0096-21 | 30 | 1-3/16 | 3-3/4 | 46.0 | 30.91 | 185.46 | 9500 | 93.0 |
| ALM 0096-22 | 32 | 1-1/4 | 4 | 52.5 | 35.28 | 211.67 | 10700 | 105.0 |
| ALM 0096-23 | 34 | 1-11/32 | 4-1/4 | 58.9 | 39.58 | 237.48 | 12000 | 118.0 |
| ALM 0096-24 | 36 | 1-7/16 | 4-1/2 | 66.0 | 44.35 | 266.10 | 13500 | 132.0 |
| ALM 0096-25 | 38 | 1-1/2 | 4-3/4 | 70.8 | 47.58 | 285.45 | 14700 | 144.4 |



Polypropylene Ropes

Polypropylene rope has nearly twice the strength of Manila rope when compared size to size. The rope has positive buoyancy (floats) and doesn't absorb water, rot or decay. It is resistant to acid, alkali and most chemicals. When not in use the rope should be stored away from direct sun-ray. Recommended usages are mooring, dock and anchor line, boat life-line, tarpaulin-line, tent tie down, pool barrier line, public utility and general use in home, farm and industry.

| Model No. | Diameter | | CIR | WT | | | B/S | |
|-------------|----------|---------|-------|-------|----------|-----------|-----------|--------|
| | MM | INCH | | INCH | KGS/100M | LBS/100FT | LBS/100FM | Kg |
| ALM 0097-1 | 4 | 5/32 | 1/2 | 0.6 | 0.40 | 2.42 | 200 | 2.1 |
| ALM 0097-2 | 5 | 3-16 | 5/8 | 1.2 | 0.81 | 4.84 | 420 | 4.1 |
| ALM 0097-3 | 6 | 1/4 | 3/4 | 1.7 | 1.14 | 6.85 | 600 | 5.9 |
| ALM 0097-4 | 7 | 9/32 | 7/8 | 2.3 | 1.55 | 9.27 | 820 | 8.0 |
| ALM 0097-5 | 8 | 5/16 | 1 | 3.0 | 2.02 | 12.10 | 1100 | 10.4 |
| ALM 0097-6 | 9 | 3/8 | 1-1/8 | 3.7 | 2.49 | 14.92 | 1300 | 12.4 |
| ALM 0097-7 | 10 | 13-32 | 1-1/4 | 4.5 | 3.02 | 18.14 | 1600 | 15.3 |
| ALM 0097-8 | 11 | 7/16 | 1-3/8 | 5.5 | 3.70 | 22.18 | 1900 | 18.2 |
| ALM 0097-9 | 12 | 15/32 | 1-1/2 | 6.5 | 4.37 | 26.21 | 2200 | 21.7 |
| ALM 0097-10 | 13 | 1/2 | 1-5/8 | 7.8 | 5.24 | 31.45 | 2600 | 25.8 |
| ALM 0097-11 | 14 | 9/16 | 1-3/4 | 9.0 | 6.05 | 36.29 | 3000 | 29.9 |
| ALM 0097-12 | 16 | 5/8 | 2 | 11.5 | 7.73 | 46.39 | 3800 | 37.0 |
| ALM 0097-13 | 18 | 23/32 | 2-1/4 | 14.8 | 9.95 | 59.67 | 4800 | 47.2 |
| ALM 0097-14 | 19 | 3/4 | 2-3/8 | 16.2 | 10.89 | 65.32 | 5200 | 51.4 |
| ALM 0097-15 | 20 | 13-16 | 2-1/2 | 18.2 | 12.10 | 72.57 | 5800 | 56.9 |
| ALM 0097-16 | 22 | 7/8 | 2-3/4 | 16.2 | 14.78 | 88.70 | 7000 | 68.2 |
| ALM 0097-17 | 24 | 15/16 | 3 | 26.0 | 17.47 | 104.83 | 8100 | 79.7 |
| ALM 0097-18 | 25 | 1 | 3-1/8 | 28.2 | 18.95 | 13.70 | 8700 | 85.3 |
| ALM 0097-19 | 26 | 1-1/32 | 3-1/4 | 30.5 | 20.50 | 122.97 | 9400 | 92.2 |
| ALM 0097-20 | 28 | 1-1/8 | 3-1/2 | 35.5 | 23.86 | 143.13 | 10700 | 104.9 |
| ALM 0097-21 | 30 | 1-3/16 | 3-3/4 | 40.5 | 27.21 | 163.29 | 12200 | 119.8 |
| ALM 0097-22 | 32 | 1-1/4 | 4 | 46.0 | 30.91 | 185.46 | 13500 | 132.3 |
| ALM 0097-23 | 34 | 1-11/32 | 4-1/4 | 52.2 | 35.08 | 210.46 | 15100 | 148.0 |
| ALM 0097-24 | 36 | 1-7/16 | 4-1/2 | 58.5 | 39.31 | 235.86 | 16900 | 165.9 |
| ALM 0097-25 | 38 | 1-1/2 | 4-3/4 | 65.0 | 43.68 | 262.07 | 18500 | 181.4 |
| ALM 0097-26 | 40 | 1-9/16 | 5 | 72.0 | 48.38 | 290.29 | 20500 | 201.0 |
| ALM 0097-27 | 44 | 1-3/4 | 5-1/2 | 88.0 | 59.13 | 354.80 | 24600 | 241.5 |
| ALM 0097-28 | 48 | 1-7/8 | 6 | 104.0 | 69.89 | 419.31 | 28600 | 280.4 |
| ALM 0097-29 | 52 | 2-1/16 | 6-1/2 | 122.0 | 81.98 | 491.88 | 33000 | 324.5 |
| ALM 0097-30 | 56 | 2-1/4 | 7 | 142.0 | 95.42 | 572.52 | 37800 | 371.0 |
| ALM 0097-31 | 60 | 2-3/8 | 7-1/2 | 163.0 | 109.53 | 657.19 | 43200 | 424.2 |
| ALM 0097-32 | 64 | 2-1/2 | 8 | 185.0 | 124.31 | 745.89 | 48900 | 480.0 |
| ALM 0097-33 | 68 | 2-11/16 | 8-1/2 | 209.0 | 140.44 | 842.65 | 54800 | 538.0 |
| ALM 0097-34 | 72 | 2-7/8 | 9 | 234.0 | 157.24 | 943.45 | 61400 | 602.7 |
| ALM 0097-35 | 80 | 3-5/32 | 10 | 290.0 | 194.87 | 1169.23 | 75600 | 741.3 |
| ALM 0097-36 | 88 | 3-7/16 | 11 | 351.0 | 235.86 | 1415.17 | 90700 | 889.5 |
| ALM 0097-37 | 96 | 3-13/16 | 12 | 417.0 | 280.21 | 1681.28 | 107000 | 1050.0 |
| ALM 0097-38 | 104 | 4-1/8 | 13 | 490.0 | 329.27 | 1975.60 | 122800 | 1204.4 |
| ALM 0097-39 | 112 | 4-7/16 | 14 | 570.0 | 38302 | 2298.15 | 141700 | 1390.0 |
| ALM 0097-40 | 120 | 4-3/4 | 15 | 650.0 | 436.78 | 2620.69 | 162700 | 1596.0 |